

GRAND PRIX 2004-06

SECTION INDEX

A/C HEATER/VENTILATION	725
A/C REFRIGERANT CAPACITIES.....	725
ABS/BRAKES.....	727
AIR BAG SYSTEM.....	727
AIR CLEANER	730
BACK WINDOW.....	738
CENTER CONSOLE.....	733
CLEAR COAT IDENTIFICATION.....	723
COOLING.....	725
COWL & DASH	732
ELECTRICAL	731
EMISSION SYSTEM.....	731
ENGINE/TRANS.....	729
ENGINE/TRANS MOUNTS.....	730
EXHAUST.....	730
FRONT BUMPER.....	724
FRONT DOOR	735
FRONT DRIVE AXLE.....	728
FRONT FENDER.....	726
FRONT INNER STRUCTURE.....	726
FRONT LAMPS.....	724
FRONT SEAT.....	733
FRONT STEERING LINKAGE/GEAR.....	729
FRONT SUSPENSION.....	728
FUEL TANK.....	740
GRILLE.....	724
HOOD.....	724
INFORMATION LABELS.....	723
INSTRUMENT PANEL.....	732
LUGGAGE LID.....	739
PAINT CODE LOCATION.....	723
REAR BODY.....	740
REAR BUMPER.....	741
REAR DOOR.....	737
REAR LAMPS.....	740
REAR SEAT.....	735
REAR SUSPENSION.....	739
ROCKER/PILLARS/FLOOR.....	733
ROOF.....	737
SEAT BELTS.....	735
SIDE BODY.....	739
SPECIAL CAUTIONS.....	723
STEERING PUMP.....	729
STEERING WHEEL/COLUMN.....	729
SUNROOF.....	738
SUPERCHARGER.....	730
UNDERHOOD DIMENSIONS.....	726
WHEEL.....	727
WINDSHIELD.....	732

SPECIAL CAUTIONS

AIR BAGS

Refer to Procedure Explanation 29 for Supplemental Restraint/Air Bag Special Cautions.

PAINT CODE LOCATION

Paint code located on luggage lid.

CLEAR COAT IDENTIFICATION

All colors are clear coat.

INFORMATION LABELS

Label, Air Bag Caution†	04-05 15058244	12.72
	06 15116388	16.42
†Order by Application		
Tag, Air Bag Caution	04-05 15765539	15.83
	06 21996989	15.42
Label, A/C Charging	04-05 10309117	15.42
	06 10346637	14.93
Label, Fan Caution	04-06 10309116	16.40
Label, Jack Usage-See Wheel Section		
Label, Jack Caution-See Wheel Section		
Label, Radiator Fill Notice-See Cooling Section		
Label, Exhaust Emission	12457796	16.40
Label, Belt Routing	N.A.	0.00
Label, Odometer Service	10443718	16.40
Label, Door Caution	N.A.	0.00
Label, Child Seat Caution	15058244	12.72

GRAND PRIX 2004-06

INFORMATION LABELS Cont'd

Label, Fuel Pipe Caution	10445318	15.42
Label, Roadside Service	10294790	15.42

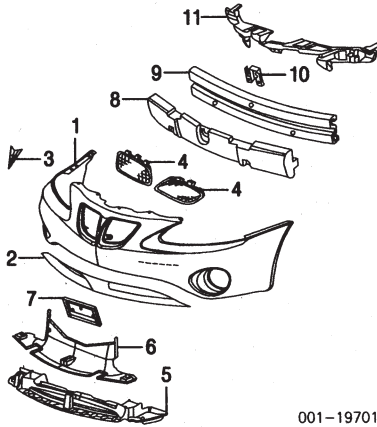
FRONT BUMPER

Use Procedure Explanations 1 and 28 with the following text.

BASE, GT, GTP MODEL

Refinish Upper Front Cover.....	2.6
Refinish Impact Bar.....	1.0
Refinish Absorber Bracket.....	R/L .4
R&I Front Cover.....	#1.9
<i>#Includes R&I/R&R Combination Lamp Assemblies & Fender Liners</i>	
O/H Bumper Assy (Includes R&I).....	#2.5
<i>#Includes R&I/R&R Combination Lamp Assemblies, Park/Signal/Fog Lamp Assemblies, Fender Liners & Grilles</i>	

NOTE: All Parts in this section are included in overhaul unless noted otherwise.



001-19701

1 Cover, Front Upper (P)	12335942	#2.2	409.76
<i>#Includes R&I/R&R Combination Lamp Assemblies, Park/Signal/Fog Lamp Assemblies, Fender Liners & Grilles</i>			
2 Cover, Front Lower (P) Paint to Match	10324182		63.37
Retainer, Cover (S)	11588988	.2	3.90
3 Emblem, Cover (Adhesive)	22658036		19.17
4 Grille-See Grille Section			
5 Deflector, Lwr Air	04 10349824	.3	44.39
	05-06 10393915	.3	44.38
Retainer, Deflector	10121502		.33
<i>#As Required</i>			
6 Baffle, Rad Air	10435518	.3	33.60
Retainer, Baffle	10077283		.89
<i>#As Required</i>			
7 Bracket, License Plate	10435398	.2	19.64
8 Absorber, Impact	10435394		170.06
9 Bar, Impact	10348166	IOH	169.37
10 Bracket, Absorber	R/L 10437869-70	#.8	17.82
<i>#w/Bumper Assy & Impact Bar Removed, Not Included in O/H</i>			
11 Support, Bumper	10381173	#.5	95.94
<i>#w/Bumper Removed, Not Included in O/H</i>			

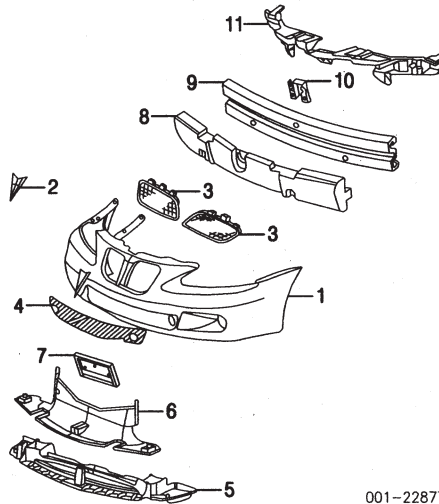
GXP MODEL

Refinish Upper Front Cover.....	2.6
Refinish Impact Bar.....	1.0
Refinish Absorber Bracket.....	R/L .4
R&I Front Cover.....	#1.9
<i>#Includes R&I/R&R Combination Lamp Assemblies & Fender Liners</i>	
O/H Bumper Assy (Includes R&I).....	#2.5
<i>#Includes R&I/R&R Combination Lamp Assemblies, Park/Signal/Fog Lamp Assemblies, Fender Liners & Grilles</i>	

NOTE: All Parts in this section are included in overhaul unless noted otherwise.

Illustration Located in Next Column

1 Cover, Front (P)	12336088	#2.2	448.80
<i>(P) Paint to Match</i>			
<i>#Includes R&I/R&R Combination Lamp Assemblies, Park/Signal/Fog Lamp Assemblies, Fender Liners & Grilles</i>			
Retainer, Cover (a)	5973400	1.22	
<i>(a) As Required</i>			
2 Emblem, Cover (Adhesive)	22658036	.2	19.17
3 Grille-See Grille Section			
4 Grille, Lower Cover	10342984	.3	34.00
5 Deflector, Lwr Air	10393915	.3	44.38
6 Baffle, Rad Air	10354933	.3	28.48
Retainer, Baffle	10077283		.89

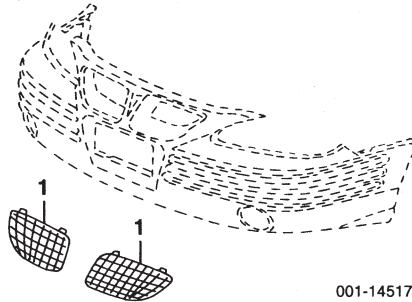


001-22877

<i>#As Required</i>			
7 Bracket, License Plate	10342931	.2	16.19
8 Absorber, Impact	10333605		153.94
9 Bar, Impact	10348166	IOH	169.37
10 Bracket, Absorber	R/L 10437869-70	#.8	17.82
<i>#w/Bumper Assy & Impact Bar Removed, Not Included in O/H</i>			
11 Support, Bumper	10381173	#.5	95.94
<i>#w/Bumper Removed, Not Included in O/H</i>			

GRILLE

R&I Grille.....	R/L	#.3
<i>#Included in R&R or O/H Front Bumper</i>		



001-14517

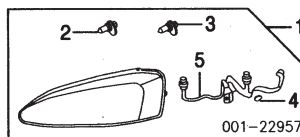
1 Grille	2004		
	w/Special Edition Pkg (P)	R/L 12336046-7	#.3 51.87
	w/o Special Edition Pkg	R/L 10435388-9	#.3 22.91
	2005-06		
	Base, GT, GTP Model	R/L 10435388-9	#.3 22.91
	GXP Model	R/L 10333607-6	#.3 47.52
<i>(P) Paint to Match</i>			
<i>#Included in R&R or O/H Front Bumper</i>			

FRONT LAMPS

COMBINATION LAMP

Aim Lamps.....	.4
R&I Combination Lamp Assy.....	R/L .4

NOTE: R&I/R&R Does Not include aim lamps.

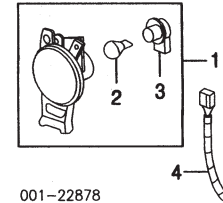


001-22957

1 Lamp Assy, Combination	R/L 10372371-2	.4	258.22
2 Bulb, High Beam	R/L 9441732	#.2	14.97
3 Bulb, Low Beam	R/L 1999366	#.2	14.97
4 Bulb, Side Marker	R/L 9421330	#.2	.65
<i>#R&R One Side Complete, Included in R&I/R&R Combination Lamp Assy</i>			
5 Harness, Lamp	R/L 16530756		0.00
<i>#Included w/Combination Lamp Assy</i>			

PARK/SIGNAL LAMP GXP MODEL

R&I Park/Signal Lamp Assy.....	R/L	#.3
<i>#Included in R&R or O/H Front Bumper</i>		

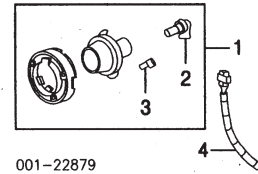


001-22878

1 Lamp Assy, Park/Signal	R/L 10340709	#.3	40.92
2 Bulb, Lamp	R/L 15233607	#.3	14.19
<i>#R&R One Side Complete, Included in R&R or O/H Front Bumper</i>			
3 Socket, Lamp	R/L N.A.		0.00
<i>#Included w/Park/Signal Lamp Assy</i>			
4 Harness, Lamp	R/L 10351972		19.03

FOG LAMP GXP MODEL

R&I Fog Lamp Assy.....	R/L	#.3
<i>#Included in R&R or O/H Front Bumper</i>		

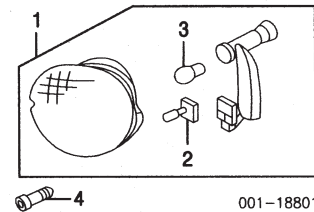


001-22879

1 Lamp Assy, Fog	R/L 15162675	#.3	95.38
2 Bulb, Fog Lamp	R/L 92095787	#.3	13.37
<i>#R&R One Side Complete, Included in R&R or O/H Front Bumper</i>			
3 Adjuster, Fog Lamp	R/L 12336097		1.45
<i>#Included w/Fog Lamp Assy</i>			
4 Harness, Wiring-See Park/Signal Lamp Section			

PARK/SIGNAL/FOG LAMP BASE, GT, GTP MODEL

R&I Park/Signal/Fog Lamp Assy.....	R/L	#.3
<i>#Included in R&R or O/H Front Bumper</i>		



001-18801

1 Lamp Assy, Park/Signal/Fog	R/L 10351557-6	#.3	126.00
<i>#Included in R&R or O/H Front Bumper</i>			
2 Bulb, Fog Lamp	R/L 12450061	#.2	16.71
3 Bulb, Park/Signal Lamp	R/L 10319395	#.2	5.82
<i>#Included w/Park/Signal/Fog Lamp Assy</i>			
<i>#R&R One Side Complete, Included in R&I/R&R Park/Signal/Fog Lamp Assy</i>			
4 Screw, Mtg (2/Side)	R/L 11504661		4.25
<i>Harness, Wiring-See Combination Lamp Section</i>			

HOOD

Use Procedure Explanations 4 and 28 with the following text.

Refinish Hood Outside.....	2.9
Add for Underside.....	1.4
Refinish Air Extractor.....	R/L .6
Refinish Upper Hood Hinge.....	R/L .2
R&I Hood Assy.....	.5

Illustration Located in Next Column

1 Hood	2004		
	w/Special Edition Pkg	89023523	1.3 392.28
	w/o Special Edition Pkg	88948751	1.0 402.30
	2005-06	88948751	1.0 402.30
2 Extractor, Hood Air			
	w/Special Edition Pkg (P)	R/L 88894520-1	.3 276.25
<i>(P) Paint to Match</i>			
3 Decal, Hood			
	w/Special Edition Pkg		
	White	10367120	.2 17.34
	Silver	10365204	.2 17.34
4 Hinge, Upper Hood	R/L 88899266-5	#.2	34.55
<i>#w/Hood Removed</i>			
5 Insulator, Hood	2004		

GRAND PRIX 2004-06

A/C/HEATER/VENTILATION Cont'd

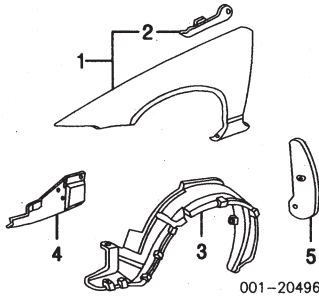
14 Actuator, Mode Valve	10349563	m	.8	34.35
15 Actuator, Air Inlet	10356910	m	.8	32.86
16 Core, Evaporator	89018288	m	#3.4	325.23
<i>#w/Instrument Panel Removed</i>				
17 Valve, Temp	89018292	m		36.97
18 Valve, Expansion	52495729	m	2.3	127.05
19 Core, Heater	89018289	m	2.5	134.91
20 Cover, Core Outlet	10325392	m		27.60
21 Module, Blower Motor	89018653	m	.7	66.24
22 Harness, A/C				
w/ATC	10356894	m		19.92
w/o ATC	10356893	m		40.23

FRONT FENDER

Use Procedure Explanation 7 with the following text.

Refinish Fender Outside.....	R/L	2.4
Add to Edge Fender.....	R/L	.5
Refinish Lower Hood Hinge.....	R/L	.2
R&I Fender Assy.....	R	#4.6
	L	#4.2

#Includes R&I Front Cover & Hood Assy, R&I/R&R Combination Lamp Assy, Bumper Support, Lower Hood Hinge, Fender Liner & Rocker Moulding, Right Side Includes R&R Washer Tank

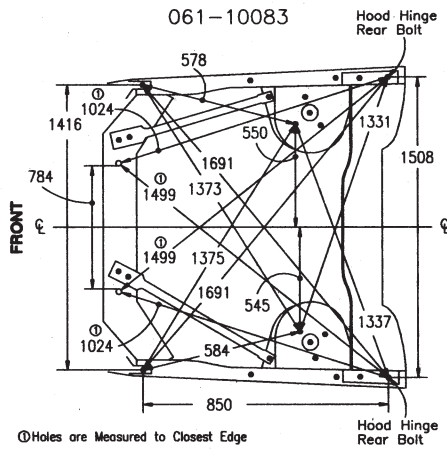


001-20496

1 Fender Assy				
2004	R 89023494	#4.8	253.57	
	L 89023495	#4.4	253.57	
2005-06				
Base, GT, GTP Model	R 89023494	#4.8	253.57	
	L 89023495	#4.4	253.57	
GXP Model	R 89023012	#4.8	260.00	
	L 89023011	#4.4	260.00	
#Includes R&I Front Cover & Hood Assy, R&I/R&R Combination Lamp Assy, Bumper Support, Lower Hood Hinge, Fender Liner & Rocker Moulding, Right Side Includes R&R Washer Tank				
2 Hinge, Lower Hood				
2004	R/L 10297155-4	#4	8.91	
2005				
1st Design	R/L 10297155-4	#4	8.91	
2nd Design	R 10361034	#4	10.55	
	L 10361033	#4	11.71	
2006	R 10361034	#4	10.55	
	L 10361033	#4	11.71	
#Included w/Fender Assy #w/Hood Removed				
Bracket, Upper Fender	R/L 10438268	.1	3.66	
Liner, Fender	R/L 21998882-1	.3	28.80	
Retainer, Liner (6/Side)	R/L 20664092		.69	
4 Shield, Splash				
2004	R/L 10349808-9	.2	8.52	
2005-06				
Base, GT, GTP Model	R/L 10349808-9	.2	8.52	
GXP Model	R 10350810	.2	17.90	
	L 15244131	.2	17.90	
5 Seal, Fender	04 R/L 10348230	6.18		
	05-06 R/L 15253814	4.36		

UNDERHOOD DIMENSIONS

Illustration Located in Next Column

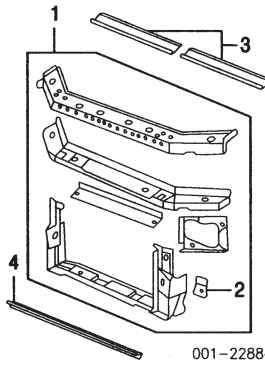


061-10083

FRONT INNER STRUCTURE

Use Procedure Explanations 8 and 28 with the following text.

Refinish Radiator Support.....		1.5
Add to R&R Radiator Support		
To R&I/R&R Base Model Mechanical Components.....	m	#.7
#Includes R&I/R&R A/C Condenser, Front Air Bag Sensor		
To Aim Lamps.....		.4
Evacuate & Recharge System.....	m	1.4
Recover Refrigerant.....	m	.3



001-22884

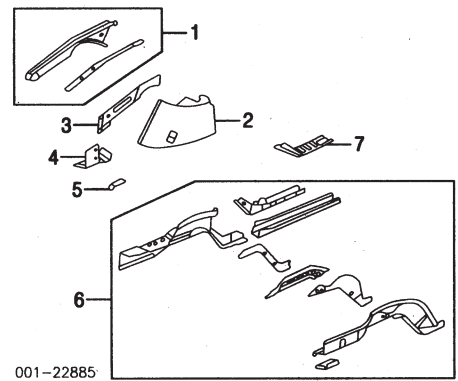
1 Support Assy, Radiator	04 10372442	#8.8	194.61
	05-06 10372442	#8.8	194.61
#Includes R&I Air Cleaner Assy, R&I/R&R Combination Lamp Assemblies, Lower Air Deflector, Battery, Hood Bumpers, Latch Support, Radiator, Fan Shroud, Washer Tank, Clips, Fasteners & Disconnect & Connect Hood Release Cable & Wiring as Necessary			
2 Plate, Mounting	R/L 10372439-40		18.04
#Included w/Radiator Support Assy			
3 Seal, Upper Radiator	04-05 10324033		3.94
	06 10347106		5.57
4 Seal, Lower Radiator	04-05 10324034		8.06
	06 N.A.		0.00

SIDE

Refinish Side Assy Complete.....	R/L	1.5
Refinish Upper Side Rail.....	R/L	.5
Refinish Wheelhouse Extension.....	R/L	.5
Refinish Wheelhouse Panel.....	R/L	.8
Refinish Lower Side Rail.....	R/L	1.0
Section Lower Side Rail.....	R/Ls	#6.5
#Lower Side Rails are Manufactured with Die Marks to Indicate the Location for the Section Template Included with the Service Part		

Illustration Located in Next Column

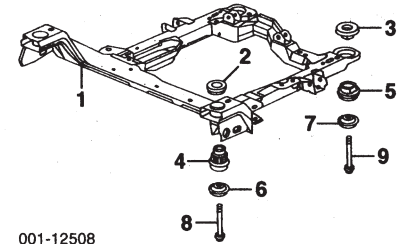
1 Rail, Upper Side	R/L 10375809-10	s	#2.5	80.22
#Includes R&R Upper Wheelhouse Extension				
2 Panel, Wheelhouse				
2004	R/L 12456452-1	s	#5.5	171.57
2005-06	R 89025136	s	#5.5	168.21
	L 89025134	s	#5.5	168.21
#Order by Application #w/Wheelhouse Extension Removed, Includes R&R Side Upper Rail & Wheelhouse Upper Extension				



001-22885

3 Extension, Wheelhouse	R/L 10329523-4	s	2.5	20.97
4 Extension, Frt Whlsh	R 10299383		1.5	42.35
	L 10241007		1.5	42.35
5 Brkt, Wheelhouse	R 10251539			4.65
	L 10299384			4.65
6 Rail, Lower Side				
3.8L Eng				
w/Supercharger	04 R/L 88948620-19	s	#10.0	285.65
	05 R 89025141	s	#10.0	0.00
	L 89025139	s	#10.0	0.00
	06 R 19120423	s	#10.0	280.05
	L 19120421	s	#10.0	0.00
w/o Supercharger	04 R 89025140	s	#10.0	177.50
	L 88955973	s	#10.0	188.14
	05 R 89025140	s	#10.0	177.50
	L 89025137	s	#10.0	174.02
	06 R 19120422	s	#10.0	177.49
	L 19120420	s	#10.0	174.02
5.3L Eng	05 R 89025141	s	#10.0	0.00
	L 89025139	s	#10.0	0.00
	06 R 19120423	s	#10.0	280.05
	L 19120421	s	#10.0	0.00
#Includes R&R Absorber Bracket & Side Rail Reinf, w/Wheelhouse Extension Removed Deduct 2.0, w/Wheelhouse Panel Removed Deduct 2.5				
7 Reinf, Side	R 10311746	s	5.5	21.11
	L 10241021	s	5.5	21.11

SUB-FRAME



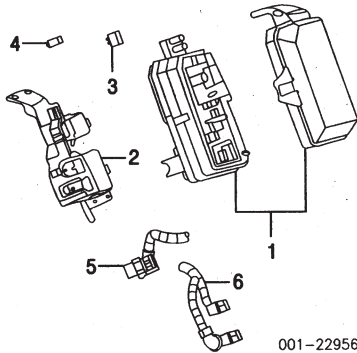
001-12508

1 Sub-Frame				
3.8L Eng	15774143	m	#4.5	1079.77
5.3L Eng	15254113	m	#4.5	754.78
#Includes Support Engine, Disconnect & Connect Engine Mounts at Frame & R&R Stabilizer Bar, w/Steering Gear Removed Deduct 1.1				
2 Spacer, Front Body Bolt				
Sport Susp (RPO-FE3)	R/L 10440691			11.63
Soft Ride Susp (RPO-FE1)	R/L 10306191			11.63
3 Spacer, Rear Body Bolt				
Sport Susp (RPO-FE3, FE4)	R/L 10440692			11.11
Soft Ride Susp (RPO-FE1)	R/L 15238505			11.12
4 Cushion, Front Body Bolt				
Sport Susp (RPO-FE3, FE4)	R/L 15249367			20.23
Soft Ride Susp (RPO-FE1)	R/L 15249367			20.23
5 Cushion, Rear Body Bolt				
Sport Susp (RPO-FE3, FE4)	R/L 10440694			21.43
Soft Ride Susp (RPO-FE1)	R/L 10306194			22.71
6 Retainer, Front Cushion	R/L 10203412			8.89
7 Retainer, Rear Cushion	R/L 10203413			9.29
8 Bolt, Front Body	R/L 11589242			5.92
9 Bolt, Rear Body	R/L 10410940			7.42

ELECTRICAL COMPONENTS

Illustration Located in Next Column

1 Block, Junction				
2004	10339709	m		250.28
2005-06				
3.8L Eng	10346589	m		238.95
5.3L Eng	10348713	m		268.36
2 Bracket, Block				



001-22956

2004	10366111	8.46
2005-06		
3.8L Eng	10366111	8.46
5.3L Eng	10348714	19.36
3 Relay	12177236	m 8.31
4 Fuse	88909756	2.50
5 Harness, Engine	04 10350972	m 481.82
	05 10393185	m 357.69
	06 15211685	m 308.14
6 Harness, Main Wiring	04 10344327	m 628.12
	05 10380004	m 599.14
	06 15251661	m 624.57

Order by Application

AIR BAG SYSTEM

Use Procedure Explanation 30 with the following text.

NOTE 1: R&R Does Not include disable and enable or diagnose Air Bag System.

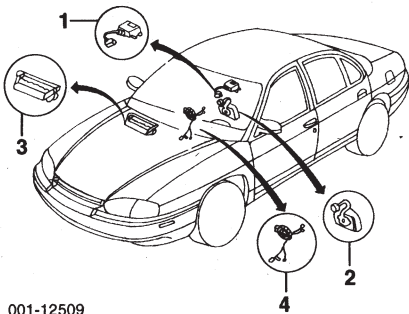
NOTE 2: Refer to Procedural Explanation 30 for Supplemental Restraint/Air Bag System Component Inspection and Replacement Information.

NOTE 3: For Air Bag System Service procedures, refer to Manufacturer's Service Repair Manual or Mitchell's Air Bag Service and Repair Manual.

FRONT

Disable & Enable Air Bag System	m .5
Diagnose Air Bag System (If Required)	m #.5

#Includes Disconnect & Connect Scan Tool & Retrieve/Clear Trouble Codes



001-12509

1 SDM Unit			
w/Side Curtain Air Bag			
2004	12220460	m #.7	295.42
2005			
1st Design	12238310	m #.7	214.46
2nd Design	19115126	m #.7	207.14
2006			
1st Design	19115096	m #.7	207.14
2nd Design	19115315	m #.7	207.14
w/o Side Curtain Air Bag			
2004	12220450	m #.7	292.78
2005			
1st Design	12238300	m #.7	214.46
2nd Design	19115125	m #.7	214.46
2006			
1st Design	19115095	m #.7	207.14
2nd Design	19115314	m #.7	207.14
#w/Seat Assy Removed			
2 Module, Driver Air Bag	04-05 10343477	m .4	694.16
	06 15286615	m .4	664.50
3 Module, Passenger Air Bag	10354536	m #.6	687.96
#w/Instrument Panel Removed			
Sensor, Front Impact			
2004	9383659	m .5	58.36
2005	10343545	m .5	214.46
2006 (a)	19123125	m .5	0.00
(a) Order by Application			
4 Coil, SIR			
2004-05			
w/Elect Accessory Control	26097600	m .9	128.56

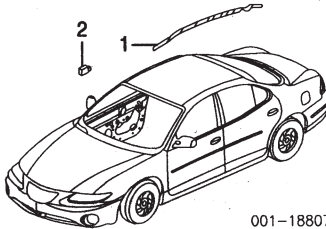
w/o Elect Accessory Control	26097599	m .9	128.56
2006	N.A.	m .9	0.00

#Included w/Column Assy
Panel, Instrument-See Instrument Panel Section
Pretensioner, Seat Belt (a)-See Seat Belts Section
(a) Serviced w/Front Seat Retractor Belt

SIDE

Disable & Enable Air Bag System	m .5
Diagnose Air Bag System (If Required)	m #.5

#Includes Disconnect & Connect Scan Tool & Retrieve/Clear Trouble Codes



001-18807

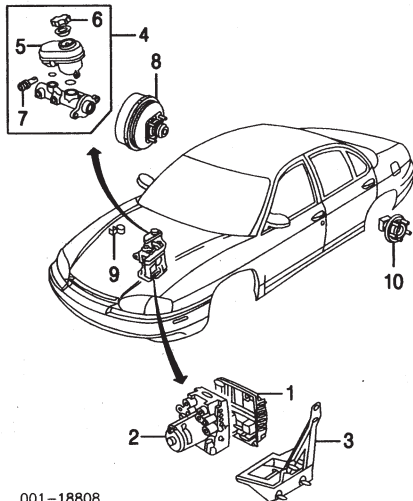
1 Module, Side Curtain Air Bag	R 10345823	m #.8	332.78
	L 15237609	m #.8	332.79
#w/Headliner Removed			
2 Sensor, Side Impact	04 R/L 9383649	m #.4	44.84
	05 R/L 10343544	m #.4	66.56
	06 R/L 10372788	m #.4	64.29

#w/Center Pillar Trim Removed

ABS/BRAKES

Bleed Brake System			
w/ABS	m .5		
w/o ABS	m .3		

NOTE: R&R Does Not include bleed brake system.



001-18808

1 Module, ABS			
2004			
GT1, GT2 Model	10435602	m #1.4	909.02
GTP Model			
w/Active Brake Control	10435593	m #1.4	936.96
w/o Active Brake Control	10435594	m #1.4	798.19
2005			
Base, GT Model	10341071	m #1.4	521.95
GTP Model	10349553	m #1.4	512.43
GXP Model	10349554	m #1.4	634.23
2006			
Base, GT Model	15258377	m #1.4	298.34
GXP Model	10349554	m #1.4	634.23
2 Valve, Brake Modulator			
Base Model	10334358	m #1.4	1049.51
GT1, GT2 Model	10334358	m #1.4	1049.51
GTP Model			
w/Active Brake Control	15227098	m #1.4	1162.16
w/o Active Brake Control	10435595	m #1.4	1131.05
GXP Model	10349550	m #1.4	1266.80
#Order by Application			
#R&R Complete			
3 Bracket, Modulator	10412690	#.2	32.31
#w/ABS Module Removed			
4 Cylinder Assy, Brake Master			
2004			
w/ABS	89047649	m 1.8	144.81
w/o ABS	18060781	m 1.8	272.38
2005-06			
w/ABS			
Base, GT, GTP Model	18060783	m 1.8	285.94
GXP Model	18060780	m 1.8	150.64
w/o ABS	89047649	m 1.8	144.81

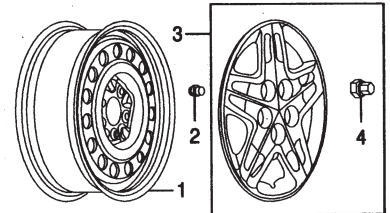
5 Reservoir, Cylinder (a)	18023763	m .6	40.10
2004			
2005-06			
Base, GT, GTP Model	18023763	m .6	40.10
GXP Model	18042407	m .6	40.10
6 Cap, Reservoir (a)	18060795	m	26.97
7 Sensor, Level (a)	18029973	m	13.31
(a) Included w/Brake Master Cylinder Assy			
8 Booster, Brake	88967238	m #2.0	281.17
#Includes R&R Brake Master Cylinder			
9 Sensor, Front ABS (b)-See Front Suspension Section			
10 Sensor, Rear ABS (b)-See Rear Suspension Section			
(b) Serviced w/Hub/Bearing			

WHEEL

Use Procedure Explanation 10 with the following text.

STEEL WHEEL

Refinish Wheel	.5
Add to R&I Spare Wheel & Tire Assy	.2

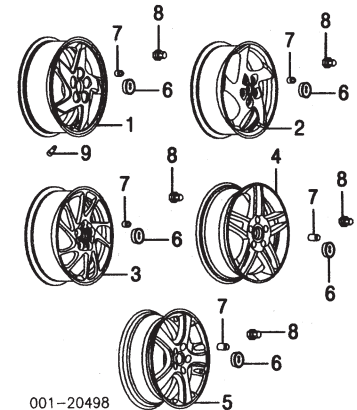


001-18809

1 Wheel, Steel	9595642	.3	205.32
2 Nut, Lug	9594683		5.87
3 Cover Assy, Wheel	9595202		58.98
4 Cap, Lug Nut	9595120		4.08
#Included w/Wheel Cover Assy			
5 Stem, Valve	9439866		2.04

ALLOY WHEEL

Add to R&I Spare Wheel & Tire Assy	.2
------------------------------------	----



001-20498

Wheel, Alloy			
1 16x6-1/2" (RPO-QD1, QP1)			
Chrome	04 88955479	.3	661.01
	05-06 89060318	.3	583.52
Polished	05-06 89060319	.3	584.72
Silver	04 88955478	.3	583.52
2 17x6-1/2" (RPO-N85)			
Chrome	04 88955480	.3	583.52
Polished	05-06 89060350	.3	584.72
Silver	04 88955482	.3	583.52
3 17x6-1/2" (RPO-P04)	04-05 88955481	.3	583.52
4 17x6-1/2" (RPO-QP2)	05-06 89060350	.3	584.72
5 18" (RPO-QR1)			
Front	05-06 89060316	.3	0.00
Rear	05-06 89060317	.3	0.00
6 Cap, Center	9593883		12.38
7 Nut, Lug	9594683		5.87
8 Cap, Lug Nut	9595120		4.08
9 Stem, Valve	9439866		2.04

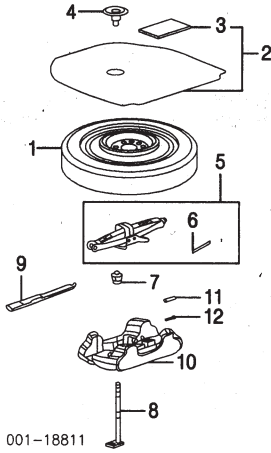
SPARE WHEEL & HARDWARE 2004

Illustration Located in Next Column

1 Wheel, Spare	9593686	116.19
2 Cover, Spare Wheel	10440106	39.28
3 Label, Jack Usage-Serviced w/Spare Wheel Cover		

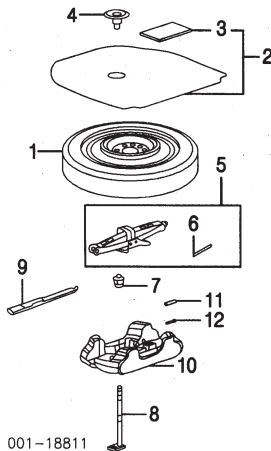
WHEEL Cont'd

**SPARE WHEEL & HARDWARE
2004 Cont'd**



4 Retainer, Cover	10408516	18.32
5 Jack Assy	15144412	92.70
6 Label, Jack Caution	22722565	14.92
<i>¶Included w/Jack Assy</i>		
7 Retainer, Jack	10430943	1.33
8 Bolt, Hold-Down	10408512	12.91
9 Handle, Jack	25743725	22.20
10 Container, Jack	10322149	30.22
11 Pin, Guide	10291507	2.76
12 Extension, Guide Pin	11561805	3.89

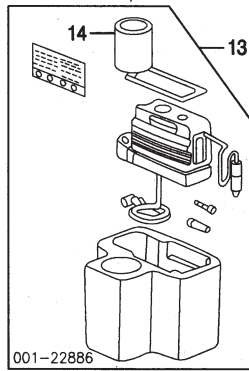
**SPARE WHEEL & HARDWARE
2005-06**



1 Wheel, Spare	9593686	116.19
2 Cover, Spare Wheel	15783557	37.05
3 Label, Jack Usage-Serviced w/Spare Wheel Cover		
4 Retainer, Cover	10408516	18.32
5 Jack Assy	15144412	92.70
6 Label, Jack Caution	22722565	14.92
<i>¶Included w/Jack Assy</i>		
7 Retainer, Jack	10430943	1.33
8 Bolt, Hold-Down	10408512	12.91
9 Handle, Jack	25743725	22.20
10 Container, Jack	10322149	30.22
11 Pin, Guide	10291507	2.76
12 Extension, Guide Pin	05 11561805	3.89
	06 11561805	3.89

Illustration Located in Next Column

13 Compressor Assy, Air GXP Model	10352956	144.60
14 Sealant, Tire	22732105	29.95
<i>¶Included w/Air Compressor Assy</i>		



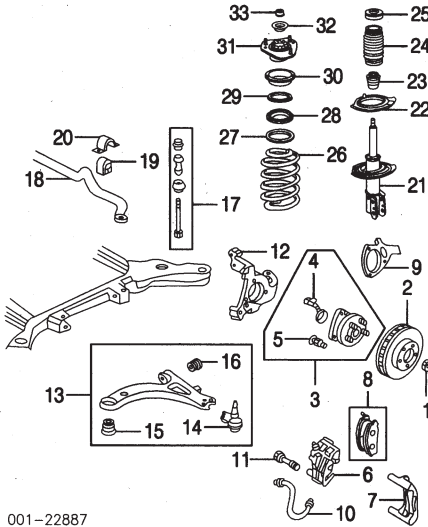
FRONT SUSPENSION

Use Procedure Explanation 11 with the following text.

R&I Suspension (One Side)	R/Lm	2.0
O/H Suspension (Includes R&I)		
One Side	R/Lm	3.0
Both Sides	m	5.8
Adjust Four Wheel Alignment	m	1.9
Adjust Front Alignment	m	1.3
Add to Adjust Alignment To Modify Strut (Camber)	R/Lm	#5
#Modify Both Sides .8		
w/Wheel Covers		.2
Bleed Brake System		
w/ABS	m	.5
w/o ABS	m	.3

NOTE 1: R&I/R&R or O/H Does Not include alignment or bleed brake system.

NOTE 2: All Parts in this section are included in overhaul unless noted otherwise.



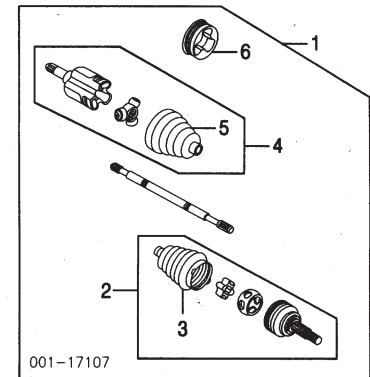
001-22887		
1 Nut, Axle	R/L 10257766	m 8.74
2 Rotor, Brake	R/L 18048698	m #.6 138.68
#R&R Both Sides 1.0		
3 Hub/Bearing Assy		
w/ABS	04 R/L 12413093	m #.9 220.88
	05-06 R/L 88964168	m #.9 219.42
w/o ABS	04 R/L 12413097	m #.9 218.97
	05-06 R/L 88964096	m #.9 210.31
#Includes R&R Rotor, R&R Both Sides 1.6		
4 Sensor, Front ABS	¶Serviced w/Hub/Bearing Assy	
5 Stud, Wheel	R/L 18022052	m 1.31
<i>¶Included w/Hub/Bearing Assy</i>		
6 Caliper, Brake (a)	R 18048675	m #.5 181.91
	L 18048674	m #.5 185.55
<i>(a) Order by Application</i>		
7 Bracket, Caliper		
w/Special Perf Pkg	R/L 18029829	m #.5 87.95
w/o Special Perf Pkg	R/L 18048677	m #.5 70.34
#R&R One Side Complete, w/Rotor Removed Deduct .3, R&R Both Sides .8		
8 Pad Set, Brake		
2004	18048676	m #1.0 95.00
2005-06		
w/4 Wheel Disc Brakes	88964099	m #1.0 95.00
w/o 4 Wheel Disc Brakes	89060375	m #1.0 111.05
#Deduct .5 for Each Caliper Removed		
9 Bracket, ABS Sensor	R/L 18060344-3	# 7.17

#Not Included in O/H				
10 Hose, Brake (a)	R/L 10328412-3	m #.3	24.82	
<i>(a) Order by Application</i>				
#w/Caliper Removed Deduct .2				
11 Bolt, Caliper	R/L 18023069	m	9.80	
12 Knuckle, Steering	R 88955419	m #1.3	388.88	
	L 88955418	m #1.3	388.86	
#Includes R&R Rotor & Hub, R&R Both Sides 2.4				
13 Arm Assy, Lower Control (a)				
w/Sport Susp	R/L 10327401-2	m #1.2	120.82	
w/o Sport Susp	R/L 10431125-6	m #1.2	120.82	
<i>(a) Order by Application</i>				
#w/Knuckle Removed Deduct .7, R&R Both Sides 2.2				
14 Joint, Lower Ball (b)	R/L 88955451	m #1.5	39.41	
#w/Knuckle Removed Deduct 1.0				
15 Bushing, Front Arm (b)				
w/Sport Susp	R/L 10412124	m #.3	18.72	
w/o Sport Susp	R/L 10430698	m #.3	0.00	
16 Bushing, Rear Arm (b)	R/L 10260991	m #.3	11.93	
<i>(b) Included w/Lower Control Arm Assy</i>				
#R&R One Side Complete, w/Lower Control Arm Removed, Not Included in O/H				
17 Link, Stabilizer	R/L 10353731	m #.7	17.39	
#R&R Both Sides 1.0, Not Included in O/H				
18 Bar, Stabilizer	10346886	m #1.8	69.10	
#Includes R&R Stabilizer Links, Brackets & Bushings, Not Included in O/H				
19 Bushing, Bar	R/L 10444064	m #.9	3.91	
20 Bracket, Bushing	R/L 10445399	m #.9	7.33	
#R&R Complete, Not Included in O/H				
21 Strut (a)				
w/Sport Susp	R/L 88955411	m #1.4	141.54	
w/o Sport Susp	R/L 88955410	m #1.4	188.72	
<i>(a) Order by Application</i>				
22 Insulator, Lower	R/L 22181835	m #1.4	13.20	
23 Bumper, Strut				
2004-05	R/L 22173720	m #1.4	16.56	
2006 (a)	R/L 22181788	m #1.4	15.20	
24 Boot, Dust				
2004	R/L 22166978	m #1.4	39.24	
2005-06 (a)	R/L 22189840	m #1.4	39.24	
<i>(a) Order by Application</i>				
25 Retainer	R/L 22166890	m #1.4	7.08	
26 Spring, Coil (a)	R/L 22130330	m #1.4	82.61	
<i>(a) Order by Application</i>				
27 Insulator, Upper	R/L 22181807	m #1.4	8.43	
28 Seat, Spring	R/L 22166979	m #1.4	40.64	
29 Bearing, Strut	R/L 908554	m #1.4	51.72	
30 Retainer, Upper	R/L 22167000	m #1.4	2.26	
31 Mount, Strut	R/L 22179331	m #1.4	119.54	
32 Washer, Upper	R/L 22152030	m #1.4	4.25	
33 Nut, Strut	R/L 11516382	m #1.4	1.31	
#R&R One Side Complete, w/Knuckle Removed Deduct .9, R&R Both Sides 2.6				

FRONT DRIVE AXLE

R&I Axle Shaft Assy	R/Lm	#.3
O/H Drive Axle Assy (Includes R&I)	R/Lm	#1.1
#w/Necessary Suspension Components Removed		

NOTE: All Parts in this section are included in overhaul unless noted otherwise.



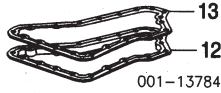
001-17107		
1 Shaft Assy, Axle		
3.8L Eng		
w/Supercharger	R 26073392	m #.3 550.75
	L 26073386	m #.3 557.41
w/o Supercharger	R 26073396	m #.3 557.41
	L 26073399	m #.3 557.41
5.3L Eng	R/L 10339706-5	m #.3 260.11
#w/Necessary Suspension Components Removed		
2 Joint Assy, Outer		
3.8L Eng		
w/Supercharger	R/L 26044408	m #.4 236.77
w/o Supercharger	R/L 26044410	m #.4 293.08
5.3L Eng	R/L N.A.	m #.4 0.00
3 Boot, Outer Joint	R/L 26044380	m #.4 36.37
<i>(a) Included w/Outer Joint Assy</i>		
#R&R One Side Complete, w/Axle Shaft Assy Removed		
4 Joint Assy, Inner		
3.8L Eng		
w/Supercharger	R 26073379	m #.4 236.32
	L 26073376	m #.4 564.49
w/o Supercharger	R 26073381	m #.4 496.66

GRAND PRIX 2004-06

ENGINE/TRANS Cont'd

3.8L ENG Cont'd

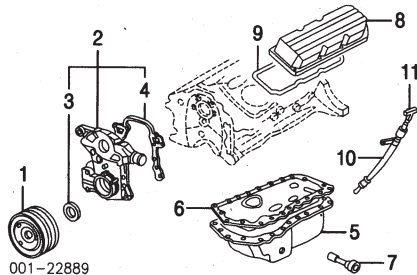
7 Sensor, Eng Oil Level	12579983	m	.6	19.84
8 Cover, Valve	R 24503936	m	2.3	63.85
	L 24503935	m	1.6	63.85
9 Gasket, Valve Cover	R/L 24503937	m		13.75
<i>Order by Application</i>				
10 Tube, Eng Dipstick	24508129		.5	10.96
11 Dipstick, Eng Oil	12574823			6.36



12 Pan, Trans Oil	24206181	m	1.0	47.75
13 Gasket, Trans Oil Pan	24206182	m		41.52

5.3L ENG

R&I Engine/Trans Assy.....m 9.8



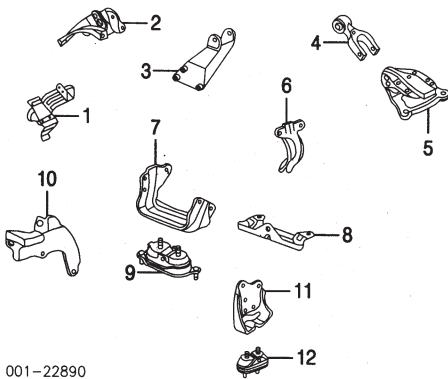
1 Balancer	12568921	m	1.0	159.75
2 Cover Assy, Timing	12580287	m	5.4	179.07
3 Seal, Timing Cover	12585673	m	1.3	21.06
4 Gasket, Timing Cover	12574294	m		21.61
<i>Included w/Timing Cover Assy</i>				
5 Pan, Eng Oil	05 12569040	m	4.7	204.03
	06 12599654	m	4.7	0.00
6 Gasket, Eng Oil Pan	12580672	m		33.91
7 Sensor, Eng Oil Level	12596813	m	.6	22.07
8 Cover, Valve	R 12590005	m	.8	82.86
	L 12580323	m	1.0	86.76
9 Gasket, Valve Cover	R/L 12560696	m		9.34
10 Tube, Eng Dipstick	12563918		.5	17.30
11 Dipstick, Eng Oil	12569045			6.01



12 Pan, Trans Oil	24206181	m	1.0	47.75
13 Gasket, Trans Oil Pan	24206182	m		41.52

ENGINE/TRANS MOUNTS

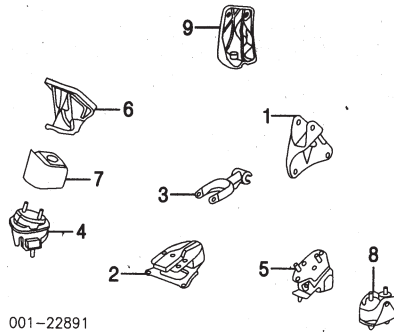
3.8L ENG



<i>001-22890</i>				
Brkt, Right Eng Strut Mount				
1 w/Supercharger	24507211		.5	115.85
2 w/o Supercharger	24506488		.5	63.69
3 Brkt, Left Eng Strut Mount	24503458		.5	25.99
4 Strut, Eng Mount	R/L 10230877		.5	55.54
<i>#R&R One Side Complete</i>				
5 Brkt, Strut/Tie Bar	R/L 10271462			48.94
6 Bracket, Upper				
w/o Supercharger	24506489			16.81

7 2004	10321856	#2.4	23.08
8 2005-06	10345562	#2.4	10.23
9 Mount, Eng	10340740	#2.4	109.25
<i>#R&R Complete</i>			
10 Brace, Trans	25628604	.4	6.43
11 Bracket, Trans Mount	10274687	#.2	21.82
<i>#w/Mount Removed</i>			
12 Mount, Trans	22178939	.8	106.46

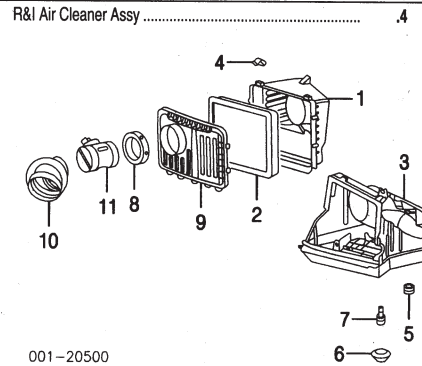
5.3L ENG



<i>001-22891</i>				
1 Brkt, Right Eng Strut Mount	10306033	#.5	65.34	
2 Brkt, Left Eng Strut Mount	10271462	#.5	48.94	
3 Strut, Eng Mounting	05 10420009	#.5	21.41	
	06 10345905	#.5	22.56	
<i>#R&R One Side Complete</i>				
4 Mount, Front Eng	10348601	2.4	111.55	
5 Mount, Rear Eng	10420010	1.8	55.98	
6 Bracket, Front Eng	10345832	#.2	66.07	
Bracket, Rear Eng	10306029	#.2	33.69	
<i>#w/Mount Removed</i>				
Plate, Engine Mounting	R 10437854		20.07	
	L 10333802		20.07	
7 Shield, Engine Mount	10377003		25.46	
8 Mount, Trans	10348602	.8	117.78	
9 Bracket, Trans Mount	10306030	#.2	52.54	

AIR CLEANER

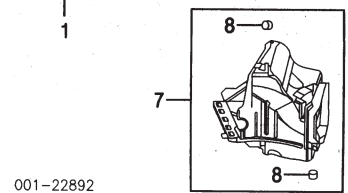
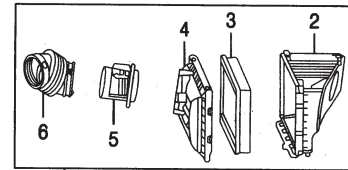
3.8L ENG 2004



R&I Air Cleaner Assy.....		.4	
<i>001-20500</i>			
1 Housing, Upper Air Cleaner	10321106	.2	75.95
w/Supercharger	10321102	.2	75.95
w/o Supercharger	10351258	.3	0.00
2 Element, Air Cleaner		.5	78.63
3 Housing, Lower Air Cleaner	10335311	.5	78.63
w/Supercharger	10335312	.5	78.63
w/o Supercharger	R/L 12481327		6.25
4 Retainer, Housing			3.12
5 Bumper, Housing (2)	10318525		2.81
6 Insulator, Housing (2)	25176248		9.67
7 Retainer, Housing (2)	25099299		
8 Seal, Air Cleaner			27.12
GT1, GT2 Model	10333358		4.24
GTP Model	88957249		60.83
9 Cover, Housing	10318103	.2	38.53
10 Duct, Outlet	10333361	m	.3
11 Sensor, Air Flow	10340478		91.51

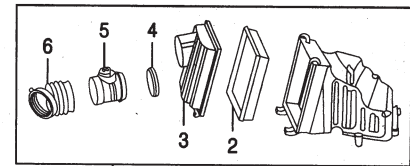
3.8L ENG 2005-06

R&I Air Cleaner Assy.....		.4	
<i>Illustration Located in Next Column</i>			
1 Housing Assy, Upper Air Cleaner			
w/Supercharger	10389507	.2	197.44
w/o Supercharger			



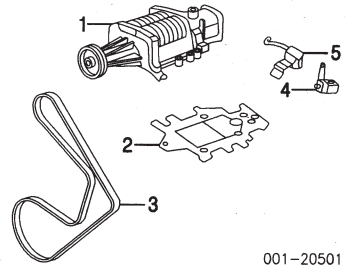
Calif Emission	10389506	.2	197.44
Federal Emission	10389505	.2	190.55
2 Housing, Upper Air Cleaner			
w/Supercharger	10353743	.2	75.95
w/o Supercharger	10353742	.2	75.95
3 Element, Air Cleaner	10351258	.3	0.00
4 Cover, Housing			
Calif Emission	10342864	.1	26.55
Federal Emission	10342823	.1	27.08
5 Sensor, Air Flow	10349461	m	.3
6 Duct, Outlet	05 10342829	.2	38.65
	06 15219032	.2	0.00
<i>Included w/Upper Air Cleaner Housing Assy</i>			
7 Housing Assy, Lower Air Cleaner	10318525		3.12
w/Supercharger	10353752	.3	78.63
w/o Supercharger	10342862	.3	78.56
8 Bumper, Housing (a) (2)			
<i>(a) Included w/Lower Air Cleaner Housing Assy</i>			

5.3L ENG



R&I Air Cleaner Assy.....		.4	
<i>001-22893</i>			
1 Housing Assy, Upper Air Cleaner	10336879	.2	240.84
2 Element, Air Cleaner	10351258	.3	0.00
3 Cover, Housing	10350738		163.25
4 Seal, Housing	10350740		12.08
5 Sensor, Mass Air Flow	10349461	m	.3
6 Duct, Outlet	10350741	.2	58.41
<i>Included w/Upper Air Cleaner Housing Assy</i>			
7 Housing, Lower Air Cleaner	15281273	.5	54.74
Retainer, Housing	12481327		6.25

SUPERCHARGER

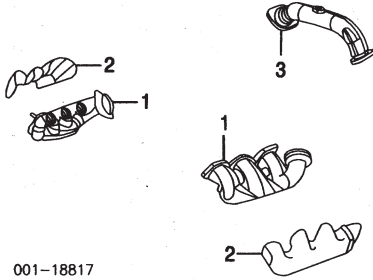


1 Supercharger	04-05 89017286	m	2.2	1681.67
	06 89018119	m	2.2	0.00
2 Gasket, Outlet	04-05 12574474	m		35.41
	06 12584411	m		35.41
3 Belt, Drive	12576687	.6		54.64
4 Valve, By-Pass	1997244	m	.8	36.15
5 Actuator, Wastegate	12371988	m	.7	200.43

EXHAUST

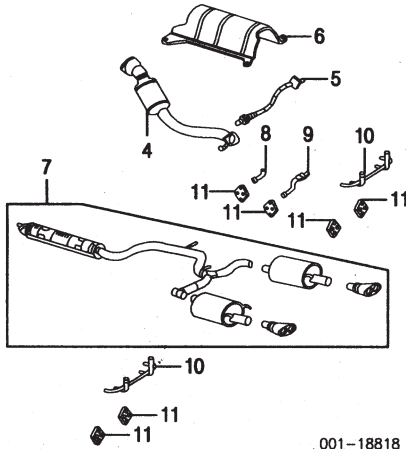
3.8L ENG

R&R Exhaust System Complete.....	#2.0		
<i>#Does Not Include R&R Exhaust Manifolds, Crossover Pipe or Heat Shields</i>			



001-18817

1 Manifold, Exhaust	04 R 12576864	m #3.8	156.94
	L 24504379	m #1.9	151.02
	05-06 R 12576864	m #3.8	156.94
	L 12588004	m #1.9	99.23
#Includes R&R Crossover Pipe, R&R Both Sides 4.6			
2 Shield, Manifold Heat	04 R 12588277	.5	15.86
	L 24506490	.5	63.09
	05-06 R 12588277	.5	15.86
	L 12591867	.5	29.46
3 Pipe, Crossover	24503125	.8	181.95



001-18818

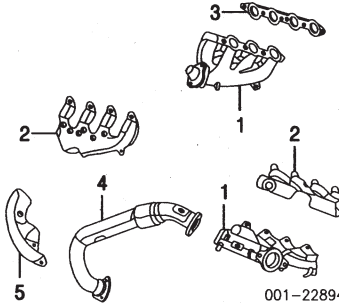
4 Converter, Catalytic]			
2004	10348509	1.3	442.86
2005			
Calif Emission	10345415	1.3	561.29
Federal Emission	10348509	1.3	442.86
2006			
w/Supercharger	10348509	1.3	442.86
w/o Supercharger			
Calif Emission	10345415	1.3	561.29
Federal Emission	15259216	1.3	442.86
#Order by Application			
5 Sensor, Oxygen-See Emission System Section	04-05 10332555	#2	32.76
6 Shield, Converter Heat	06 21994154	#2	32.77
#w/Converter Removed			
7 Muffler w/Pipe			
2004			
GT1, GT2 Model	10350781	1.0	461.51
GTP Model	10348495	1.0	572.15
2005			
Base Model	15791214	1.0	572.14
GT Model	15141053	1.0	602.34
GTP Model	10348199	1.0	870.00
2006			
Base Model	15791214	1.0	572.14
GT Model	15222105	1.0	567.03
8 Hanger, Front	10317179		4.07
9 Hanger, Center	10301948		5.71
10 Hanger, Rear	R 10328743		8.07
	L 10328742		8.55
11 Cushion, Hanger (6)	10304424		4.28

5.3L ENG

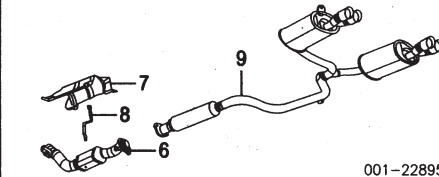
R&R Exhaust System Complete #2.0
#Does Not Include R&R Exhaust Manifolds, Crossover Pipe or Heat Shields

Illustration Located in Next Column

1 Manifold Assy, Exhaust	R/L 12569054-3	m	204.79
2 Shield, Exhaust Manifold]	R/L 12569052-1	.5	15.25
#Included w/Exhaust Manifold Assy			
3 Gasket, Manifold	R/L 12558573		12.61
4 Pipe, Crossover	12569055	.8	181.93
5 Shield, Pipe Heat	12583794		14.43
6 Converter, Catalytic	05 10333570	1.3	442.86
	06 15780300	1.3	0.00



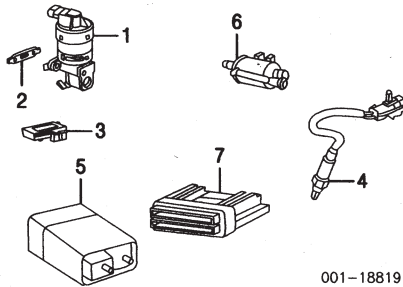
001-22894



001-22895

7 Shield, Converter	10332555	32.76
8 Sensor, Oxygen-See Emission System Section	10348199	1.0 870.00
9 Muffler w/Pipe		

EMISSION SYSTEM



001-18819

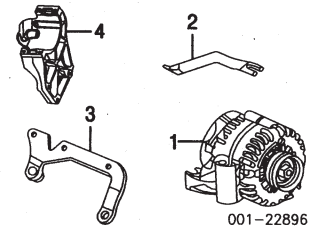
1 Valve, EGR			
3.8L Eng	04-05 12576918	m .6	#214.80
	06 12575313	m .6	147.25
5.3L Eng	N.A.	m .6	0.00
2 Gasket, EGR Valve			
3.8L Eng	12567275	m	4.07
5.3L Eng	N.A.	m	0.00
3 Sensor, MAP			
3.8L Eng		m .7	78.79
w/Supercharger	12580698	m	78.79
w/o Supercharger			
2004	9359409	m .7	76.54
2005-06			
Calif Emission	9359409	m .7	76.54
Federal Emission	9359409	m .7	76.54
5.3L Eng	16212460	m .7	82.02
4 Sensor, Oxygen]	12574218	m .5	55.45
#Order by Application			
5 Canister, Vapor	04 17113690	m #2	142.96
	05-06 10333816	m #2	221.00
#w/Fuel Tank Removed			
Bracket, Vapor Canister	10343528		4.63
6 Valve, Canister Purge			
3.8L Eng	12573220	m .3	28.59
5.3L Eng	12597341	m .3	28.59
Valve, Vent	10439027	m #2	28.12
#w/Fuel Tank Removed			
7 Module, Powertrain Control			
3.8L Eng	04 12591026	m .9	469.60
	05 12591278	m .9	480.39
	06 12600930	m .9	462.30
5.3L Eng	12597883	m .9	437.86

ELECTRICAL

ALTERNATOR

Illustration Located in Next Column

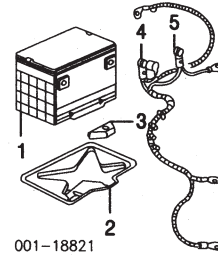
1 Alternator			
3.8L Eng	04 10464499	m .7	R252.99
	05 15208916	m .7	234.60
	06 10366269	m .7	234.60
5.3L Eng	15139480	m 1.0	466.01
2 Brace, Alternator]	24507944		15.30



001-22896

Bracket, Alternator			
3 3.8L Eng]	24508924	#2	12.31
4 5.3L Eng	12569738	#2	28.17
#Order by Application			
#w/Alternator Removed			
Belt, Drive-See Cooling Section			

BATTERY



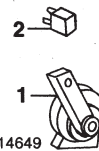
001-18821

1 Battery	N.A.	.3	0.00
2 Tray, Battery			
3.8L Eng	10408951	#5	20.01
5.3L Eng	10337450	#5	20.00
#Includes R&R Battery			
3 Retainer, Battery	10208455		5.95
4 Cable, Positive Battery			
3.8L Eng	04 88987118	1.0	140.58
	05-06 88987141	1.0	62.40
5.3L Eng	05 88987153	1.0	0.00
	06 19115451	1.0	0.00
5 Cable, Negative Battery			
3.8L Eng	04 88987119	.8	131.91
	05-06 88987142	.8	84.23
5.3L Eng	05 88987152	.8	0.00
	06 19115452	.8	0.00

COMMUNICATIONS SYSTEM

Receiver, On-Star System	N.A.	m .5	0.00
Harness, On-Star System	N.A.	m #1.3	0.00
#Includes R&R On-Star Receiver			

HORN



001-14649

1 Horn			
2004	15220753	#2	49.74
2005-06]			
High Note	89046919	#2	55.65
Low Note	89046918	#2	61.52
#Order by Application			
#w/Right Combination Lamp Assy Removed			
2 Relay, Horn			
3.8L Eng	19115080	m .3	10.92
5.3L Eng	19115081	m .3	12.50

**IGNITION
3.8L ENG**

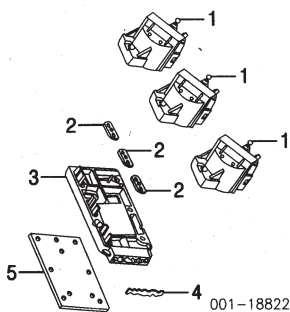
R&R Ignition Coils Complete			
3.8L Eng.....		m .8	
5.3L Eng.....		m 1.0	

Illustration Located in Next Column

1 Coil, Ignition (3)			
w/Supercharger	10477602	m .5	69.24
w/o Supercharger	10472401	m .5	63.80
2 Seal, Ignition Coil	1989579	m	2.08
3 Module, Ignition Control	10494012	m .8	309.89
4 Seal, Module	12040798	m	6.95

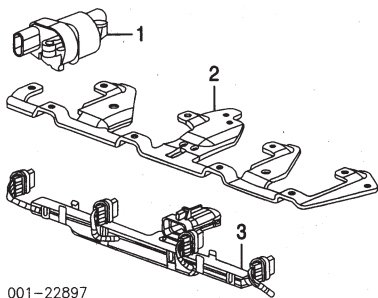
ELECTRICAL Cont'd

**IGNITION
3.8L ENG Cont'd**



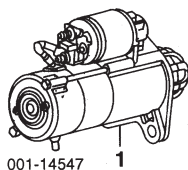
5 Bracket, Ign Cont Module w/Supercharger	10469468		19.27
w/o Supercharger	10476155		20.85

**IGNITION
5.3L ENG**



1 Coil, Ignition 5.3L Eng (4)†	12570616	m	.5	71.41
†Order by Application				
2 Bracket, Ignition Coil	12580353			28.64
3 Wire, Ignition Coil	12579355	m		29.22

STARTER



1 Starter 3.8L Eng		m	1.6	R310.47
w/Supercharger	04-05 89017468	m	1.6	0.00
	06 89017830	m	1.6	R312.03
	04 10465525	m	1.6	R310.47
	05 89017468	m	1.6	R306.32
	06 89017715	m	2.0	275.40
5.3L Eng	05 12582471	m	2.0	275.40
	06 12599873	m	2.0	275.40

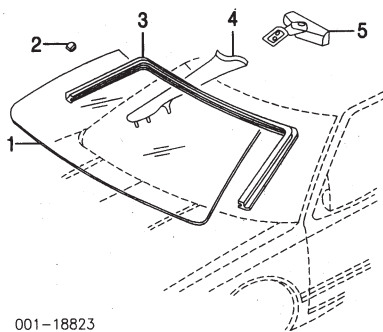
WINDSHIELD

Use Procedure Explanation 13 with the following text.

R&I Windshield.....	#2.4
<i>#Includes Clean Up Old Adhesive as Necessary</i>	

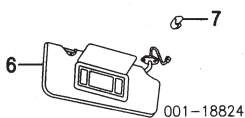
Illustration Located in Next Column

1 Windshield Pontiac w/HUD		#2.0		552.08
2004	10340037	#2.0		552.08
2005		#2.0		658.32
1st Design	10340037	#2.0		552.08
2nd Design	10353165	#2.0		658.32
2006	10353165	#2.0		658.32
w/o HUD		#2.0		440.57
2004	10340036	#2.0		440.57
2005				



001-18823

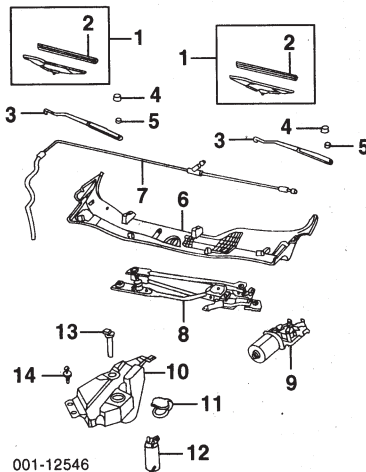
1st Design	10340036	#2.0	440.57
2nd Design	10353164	#2.0	436.65
2006	10353164	#2.0	436.65
NAGS		#2.0	785.60
w/HUD	DW01492GBY	#2.0	245.35
w/o HUD	DW01491GBY	#2.0	245.35
<i>#Includes Clean Up Old Adhesive as Necessary</i>			
2 Supt, Rear View Mirror	20626174	#.2	12.34
<i>#Included in R&R Windshield</i>			
Adhesive, Windshield	N.A.		0.00
3 Moulding, Reveal	88957289	#2.0	52.08
<i>#Included in R&R/R&R Windshield, Includes Clean Up Old Adhesive as Necessary</i>			
4 Moulding, W/S Garnish†	R 10340934	.3	42.37
	L 10340932	.3	42.37
†Order by Application			
5 Mirror, Rear View w/On-Star	10351561	.2	201.54
w/o On-Star	25603373	.2	66.98



001-18824

6 Visor, Sun†			
w/Illumination	R 10360286	.2	113.55
	L 10360285	.2	109.18
w/o Illumination	R 10360260	.2	75.62
	L 10360259	.2	73.31
†Order by Application			
7 Retainer, Sun Visor	R/L 10317627		8.74

WIPER SYSTEM



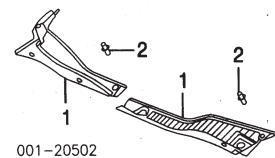
001-12546

1 Blade Assy, Wiper 2004	R/L 10350320	.1	m	24.00
2005		.1	m	24.00
1st Design	R/L 10350320	.1		0.00
2nd Design	R/L 19120758	.1		0.00
2006	R/L 15146563-2	.1		24.00
	R/L 22155433	.1	m	12.00
<i>#Included w/Wiper Blade Assy</i>				
2 Insert, Wiper Blade†				
<i>#Includes R&R Wiper Blade Assy or Insert</i>				
3 Arm Assy, Wiper	04-05 R/L 10347948-9	#.2		28.74
	06 R/L 15146567-6	#.2		28.75
<i>#Includes R&R Wiper Blade Assy or Insert</i>				
Nozzle, Washer 2004	R 88986198	.2		16.13
	L 88987061	.2		18.04
2005-06-Serviced w/Wiper Arm Assy				
4 Cap, Wiper Arm Nut	04-05 R/L 10318001			10.64
	06 R/L 10341324			4.23
5 Nut, Wiper Arm	R/L 11589150			.44
6 Panel, Air Inlet-See Cowl & Dash Section				

7 Hose, Washer Nozzle	04-05 10339766	.3		8.83
	06 10351942	.3		16.97
8 Trans, Wiper	04 12335726	#1.5		85.51
	05 88986193	#1.5		85.53
	06 19120741	#1.5		85.54
<i>#w/Air Inlet Panel Removed</i>				
9 Motor, Wiper 2004	12335727	#1.8		123.40
2005		#1.8		128.35
1st Design	19120033	#1.8		0.00
2nd Design	19120756	#1.8		0.00
2006	19120740	#1.8		42.42
<i>#w/Air Inlet Panel Removed, Includes R&R Wiper Trans</i>				
10 Tank, Washer	04-05 12335756	.4		64.56
	06 19120261	.4		21.35
11 Cap, Washer Tank	25731418			5.11
12 Pump, Washer	04-05 88986201	#.5		47.73
	06 15140461	#.5		15.91
13 Sensor, Fluid Level	04-05 12335753	#.5		15.86
	06 15809826	#.5		21.84
<i>#R&R Complete, Includes R&R Washer Tank</i>				
14 Retainer, Washer Tank (2)	11514623			1.24

COWL & DASH

Use Procedure Explanations 14 and 28 with the following text.



001-20502

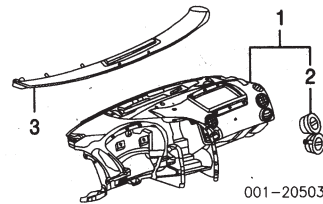
Panel, Dash (LSM)-Not Serviced				
1 Panel, Air Inlet 2004	R 15298843	#.5		33.59
	L 15294804	#.5		39.86
2005		#.5		33.59
1st Design	R 15298843	#.5		39.86
	L 15294804	#.5		33.59
2nd Design	R 15298843	#.5		39.86
	L 15294804	#.5		33.59
2006	R 15298843	#.5		33.59
	L 15294804	#.5		39.86
<i>#R&R Complete, Includes R&R Wiper Arms</i>				
2 Retainer, Panel (3)	21075686			.66
Insulator, Dash Panel	N.A.	1.0		0.00
Carrier, Inst Panel-See Instrument Panel Section				
Nozzle, Washer-See Windshield Section				
Seal, Rear Hood-See Hood Section				

INSTRUMENT PANEL

Use Procedure Explanation 14 with the following text.

R&I Instrument Panel Assy.....	m	5.2
--------------------------------	---	-----

NOTE: All Parts in this section are included in R&R Instrument Panel unless noted otherwise.



001-20503

1 Panel Assy, Instrument w/HUD		m	6.8	382.71
6 Speaker System	04 10336075	m	6.8	439.59
	05 10354041	m	6.8	471.75
	06 15283973	m	6.8	439.59
8 Speaker System	04 10347506	m	6.8	439.59
	05-06 10354042	m	6.8	439.59
w/o HUD		m	6.8	425.09
6 Speaker System	04 10347507	m	6.8	435.83
	05 10354043	m	6.8	0.00
	06 15284050	m	6.8	0.00
8 Speaker System	04 10322459	m	6.8	364.38
	05 10354044	m	6.8	434.25
	06 15284040	m	6.8	0.00
2 Outlet, Center†	04-05 R 10314756	m	6.8	16.43
	06 R 15270150	m	6.8	0.00
<i>#Included w/Instrument Panel Assy</i>				
3 Panel, Upper Trim w/HUD	04 10351766	.3		108.28
	05 10354107	.3		40.96
	06 10386482	.3		41.26
w/o HUD	04 10351767	.3		108.28
	05 10354108	.3		42.18
	06 10386483	.3		5.44

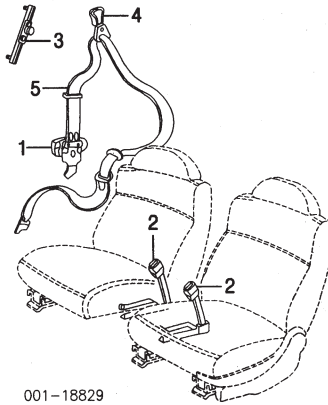
Cashmere	88995636	#.7	d94.86
Leather			
Black	88995616	#.7	158.10
Cashmere	88995617	#.7	152.18
11 Pad, Seat Cushion	88948144	#.7	62.26
12 Heater, Seat Cushion	04-05 88994320	#.7	54.12
	06 19123321	#.7	31.63
13 Frame, Seat Cushion	88994607	#.7	45.26
<i>#R&R Complete, w/Seat Assy Removed</i>			
14 Adjuster, Seat	88900000		650.32
15 Plate, Adjuster	R 88899993		15.52
	L 88899992		15.47
	L 88899992		63.58
16 Harness, Seat Wiring	10349124		
17 Cover, Adjuster			
2004-05			
Neutral	88993068	.2	47.95
Pewter	88948123	.2	32.50
2006			
Black	88995577	.2	45.94
Cashmere	88995578	.2	45.94
18 Switch, Seat	12450265		38.33
19 Knob, Seat Switch			
Black	25749092		6.97
Neutral	25671087		3.80
Pewter	25721216		4.11
20 Lever, Recliner			
2004-05			
Neutral	88993066		4.26
Pewter	88997701		4.06
2006			
Black	88950537		4.02
Cashmere	8895582		3.51

Black	R 88995682	#.3	88.98
	L 88995680	#.3	110.76
Cashmere	R 88995683	#.3	92.64
	L 88995681	#.3	94.62
5 Pad, Side Bolster	R/L 88992204-5	#.3	31.55
<i>#w/Rear Seat Assy Removed, R&R One Side Complete</i>			
6 Frame, Seat Back	88994640		162.38
7 Bracket, Bolster	R/L 88899390-1		9.25
8 Cover, Seat Cushion			
2004-05			
Cloth			
Neutral	88994696	#.4	153.20
Pewter	88994695	#.4	150.20
Leather			
Neutral	88994435	#.4	227.92
Pewter	88994434	#.4	220.75
2006			
Cloth			
Black	88995607	#.4	173.47
Cashmere	88995608	#.4	173.47
Leather			
Black	88995601	#.4	259.36
Cashmere	88995602	#.4	259.36
9 Pad, Seat Cushion	88899386	#.4	240.44
<i>#w/Rear Seat Cushion Removed, R&R Complete</i>			

SEAT BELTS

Use Procedure Explanation 30 with the following text.

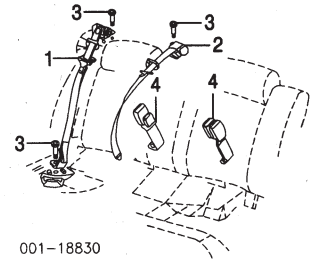
FRONT



1 Belt, Front Seat Retractor]			
2004-05			
Neutral	R 88956214	#.8	132.66
	L 88956216	#.8	132.66
Pewter	R 88956213	#.8	132.66
	L 88956215	#.8	132.66
2006			
Black	R 89027026	#.8	150.86
	L 89025870	#.8	135.57
Cashmere	R 89025871	#.8	120.00
	L 89025869	#.8	135.57
<i>[Includes Seat Belt Pretensioner</i>			
<i>#Includes R&R Upper & Lower Center Pillar Mouldings</i>			
2 Buckle, Front Seat Belt			
2004-05			
Neutral	R 88956224	#.3	131.48
	L 88956211	#.3	128.14
Pewter	R 88956223	#.3	139.36
	L 88956212	#.3	140.63
2006			
Black	R 89027026	#.3	150.86
	L 89027023	#.3	132.66
Cashmere	R 89025871	#.3	120.00
	L 89025869	#.3	135.57
<i>#w/Seat Assy Removed</i>			
3 Adjuster, Seat Belt	R/L 10348375		33.52
4 Cover, Upper	04-05 R/L 10440616		15.05
	06 R/L 15218452-3		0.00
	R/L 10197674		10.34
5 Guide, Seat Belt			

REAR

R&R Outer Seat Belt Kit.....R/L #1.2			
<i>#Includes R&R/Rear Seat Assy & Package Tray, R&R Both Sides 1.5</i>			
<i>Illustration Located in Next Column</i>			
1 Belt, Outer Seat]			
2004-05			
Neutral	R/L 89024272	#.2	69.33
Pewter	R/L 88956218	#.2	66.24
2006			
Black	R/L 89024273	#.2	69.33
Cashmere	R/L 89026275	#.2	85.35
<i>[Includes Both Sides</i>			
<i>#w/Rear Seat Assy & Package Tray Removed</i>			



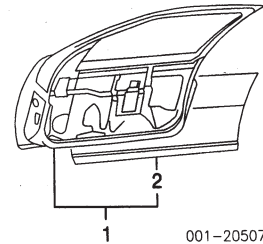
2 Belt, Center			
2004-05			
Neutral	88956219	#.3	72.93
Pewter	88956220	#.3	72.93
2006			
Black	89026278	#.3	72.93
Cashmere	89026277	#.3	101.26
<i>#w/Seat Assy Removed</i>			
3 Bolt, Mtg (5)			
10225190			
4 Buckle, Belt			
2004-05			
Neutral	R 88956222	#.2	62.15
	L 88956210	#.2	63.39
Pewter	R 88956221	#.2	59.91
	L 88956209	#.2	60.81
2006			
Black	R/L 89024278	#.2	60.27
Cashmere	R/L N.A.	#.2	0.00
<i>#w/Seat Assy Removed</i>			

FRONT DOOR

Use Procedure Explanations 16 and 28 with the following text.

SHEET METAL

Refinish Door Outside.....	R/L	2.1
Add for Jamb & Interior.....	R/L	1.0
Add for Jamb.....	R/L	.5
R&I Door Assy.....	R/L	1.2



1 Shell Assy, Door	R/L 88948632-3	#5.3	633.38
<i>#Includes R&R/Rear View Mirror Assy</i>			
2 Panel, Door Repair]	R/L 88948634-5	#6.5	237.51
<i>[Includes w/Door Shell Assy</i>			
<i>#Includes R&R/Rear View Mirror Assy & Door Glass</i>			

EXTERIOR TRIM

Refinish Lower Moulding.....	R/L	.3	
Refinish Rear View Mirror.....	R/L	.4	
R&I Upper Reveal Moulding.....	R/L	#1.0	
R&I Outer Belt Moulding.....	R/L	#1.0	
<i>#R&R One Side Complete, Includes R&I Trim Panel & Rear View Mirror Assy</i>			
R&I Rear Frame Applique.....	R/L	.3	
R&I Rear View Mirror Assy.....	R/L	#.7	
<i>#Includes R&I Trim Panel</i>			

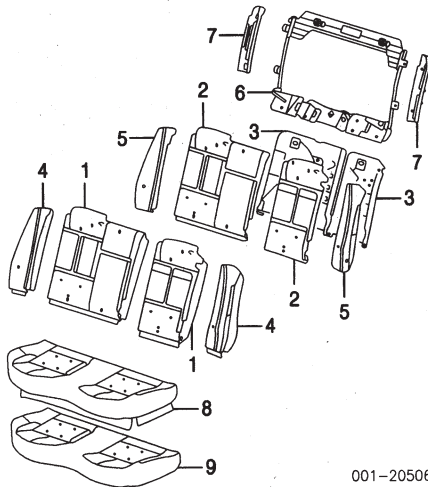
Illustration Located in Next Column

1 Moulding, Upr Reveal			
2004-05			
	R 21992456	#.3	41.79
	L 10348211	#.3	68.94
2006			
1st Design			
	R 21992456	#.3	41.79
	L 10348211	#.3	68.94
	R/L 15784366-7	#.3	80.41
2 Moulding, Outer Belt			
04-05 R/L	15229274	#.3	39.99
	L 10363329	#.3	37.73
06 R/L	15773619	#.3	37.72
	L 15773620	#.3	37.73
<i>#w/Trim Panel & Rear View Mirror Assy Removed</i>			
3 Applique, Rear Frame			
2004			
	R 10349495	.3	45.63
	L 10349496	.3	48.36
2005			
1st Design			
	R 10349495	.3	45.63
	L 10349496	.3	48.36
2nd Design	R/L 15272735-6	.3	45.63

REAR SEAT

Use Procedure Explanation 30 with the following text.

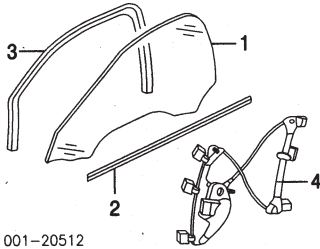
R&I Rear Seat Assy.....	.3
R&I Rear Seat Cushion.....	.2



1 Cover, Seat Back			
2004-05			
Cloth			
Neutral	R 88994702	#.6	131.24
	L 88994699	#.6	93.31
Pewter	R 88994701	#.6	133.86
	L 88994698	#.6	95.18
Leather			
Neutral	R 88994050	#.6	207.49
	L 88994047	#.6	168.62
Pewter	R 88994049	#.6	207.49
	L 88994046	#.6	168.67
2006			
Cloth			
Black	R 88995682	#.6	88.98
	L 88995603	#.6	d106.02
Cashmere	R/L N.A.	#.6	0.00
Leather			
Black	R 88995595	#.6	159.67
	L 88995598	#.6	204.02
Cashmere	R/L N.A.	#.6	0.00
2 Pad, Seat Back			
Neutral	R 88992202	#.6	80.80
	L 88992203	#.6	51.24
<i>#w/Rear Seat Assy Removed, R&R One Side Complete</i>			
3 Panel, Seat Back			
Neutral	R 88993758	.2	92.06
	L 88993757	.2	90.42
4 Cover, Side Bolster			
2004-05			
Cloth			
Neutral	R 88993590	#.3	55.31
	L 88993593	#.3	51.21
Pewter	R 88993589	#.3	54.43
	L 88993592	#.3	52.23
Leather			
Neutral	R 88993578	#.3	101.39
	L 88993575	#.3	100.54
Pewter	R 88993577	#.3	106.56
	L 88993574	#.3	101.91
2006			
Cloth			
Leather	R/L N.A.	#.3	0.00

14 W/Strip, Door (On Door) Harness, Door 2004	R/L 89039781	.4	75.11
w/Side Air Bags	R/L 21993649-8		96.14
w/o Side Air Bags	R/L 10340066		150.73
2005-06	R/L 21993649-8		96.14

GLASS & PARTS



001-20512

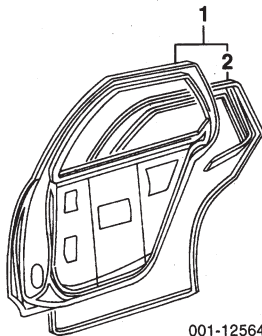
1 Glass, Door Pontiac NAGS	R/L 15282130-29	#1.4	272.39
	R DD10211GTN	#1.4	182.00
	L DD10212GTN	#1.4	182.00
#Includes R&I Trim Panel			
2 Moulding, Inner Belt-See Interior Trim Section			
3 W/Strip, Door (On Door)	R 10398654	.2	71.46
	L 10398653	.2	73.62
4 Regulator, Window	R 15143887	#1.1	118.02
	L 15143888	#1.1	125.22
#w/Door Glass Removed Deduct .7			

REAR DOOR

Use Procedure Explanations 16 and 28 with the following text.

SHEET METAL

Refinish Door Outside	R/L	2.2
Add for Jambes & Interior	R/L	1.0
Add for Jambes	R/L	.5
R&I Door Assy	R/L	.8

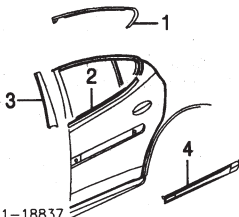


001-12564

1 Shell Assy, Door	R 89023172	5.0	610.32
	L 89023173	5.0	646.92
2 Panel, Door Repair	R/L 88948638-9	#6.2	254.47
#Includes w/Door Shell Assy			
#Includes R&R Door Glass & Vent Glass			

EXTERIOR TRIM

Refinish Lower Moulding	R/L	.4
R&I Upper Reveal Moulding	R/L	#1.7
#Includes R&I/R&R Vent Glass		
R&I Outer Belt Moulding	R/L	.3
R&I Front Frame Applique	R/L	#.6
#Includes R&I/R&R Outer Belt Moulding		



001-18837

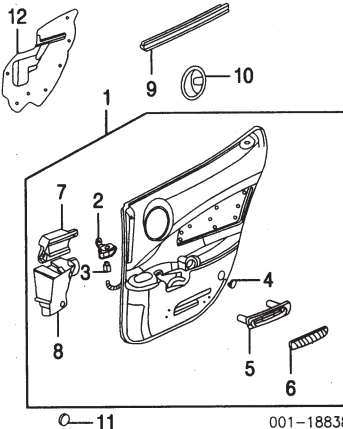
1 Moulding, Upper Reveal	R/L 10348212-3	#.3	93.77
#w/Vent Glass Removed			
2 Moulding, Outer Belt	R/L 15229276-7	.3	48.24
3 Applique, Front Frame 2004	R 10345504	#.3	45.63
	L 10345505	#.3	52.44
2005 1st Design	R 10345505	#.3	52.44

2nd Design	L 10345504	#.3	45.63
2006	R/L 15272733-4	#.3	0.00
	R/L 15272733-4	#.3	0.00
#w/Belt Moulding Removed			
Rivet, Attaching	R/L 11589240		3.89
[As Required]			
4 Moulding, Lower (Adhesive) Black	R/L 88980375-4	.2	70.62
Paint to Match	R/L 88980375-4	.2	70.62

INTERIOR TRIM

R&I Trim Panel	R/L	.4
----------------	-----	----

NOTE: All Parts in this section are included in R&R Trim Panel unless noted otherwise.

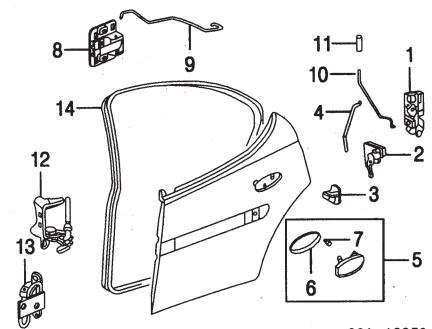


001-18838

1 Panel Assy, Door Trim 2004-05 Neutral	R 10357135	.5	285.86
	L 10357136	.5	203.74
	R 10357137	.5	285.86
	L 10357138	.5	294.42
2006 Black	R/L 10387572-3	.5	209.77
Cashmere	R/L 10387574-5	.5	209.77
2 Plate, Switch Trim] 2004-05	R/L 10340448-9	#.2	30.15
2006 Black	R/L 15236027-8	#.2	0.00
Cashmere	R/L 15236029-30	#.2	0.00
3 Switch, Window] #R&R One Side Complete	R/L 10438815	#.2	9.24
4 Reflector, Door] #Handle, Door Pull] 2004-05 Neutral	R 10340428	#.1	27.48
	L 10340429	#.1	25.53
	R/L 10340430-1	#.1	27.48
2006 Black	R/L 10369748-9	#.1	0.00
Cashmere	R/L 10369750-1	#.1	0.00
#w/Trim Panel Removed			
6 Cover, Door Pull] 2004-05 Neutral	R/L 10343982-3		5.91
	R 10343984		5.91
	L 10343985		5.64
2006 Black	R/L 10369582-3		5.26
Chrome	R/L 15264346-7		22.47
7 Upper	R/L 10340438-9		19.83
8 Lower	R/L 10340440		44.91
	L 10340441		41.22
[Included w/Door Trim Panel Assy]			
9 Moulding, Inner Belt 2004	04 R 10337575-6	#.2	21.97
2005 1st Design	R/L 15210792-3	#.2	33.72
2nd Design	R/L 15248226-7	#.2	33.72
2006	R/L 15248226-7	#.2	33.72
#w/Trim Panel Removed			
10 Bezel, Inside Handle 2004-05 Neutral	R/L 10375938	.1	6.89
	R/L 10375937	.1	3.94
2006 Black	R/L 10375935	.1	3.91
Cashmere	R/L 15276366	.1	5.00
11 Harness, Inner Belt-See Hardware Section			
12 Shield, Moisture 04 R	10380067	#	27.11
	L 10432980	#	23.68
	05-06 R/L 10380067-6	#	27.11
#w/Trim Panel Removed, Not Included in R&R Trim Panel			

HARDWARE

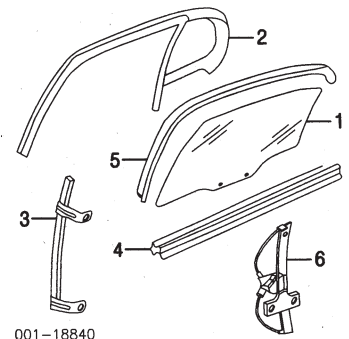
Refinish Outside Handle	R/L	.4
Refinish Upper Hinge	R/L	.2
Refinish Lower Hinge	R/L	.2
R&I Outside Handle	R/L	#.7
#Includes R&I Trim Panel		



001-18839

1 Latch, Door	R 15255016	#.3	86.11
	L 15255017	#.3	51.03
2 Actuator, Latch #w/Trim Panel Removed	R/L 25664287-8	#.2	69.84
3 Striker	R/L 12451555	.2	8.68
4 Rod, Outside Handle	R/L 10440398-9		3.97
5 Handle Assy, Outside Black	R 10331594	#.3	41.99
	L 10439378	#.3	44.25
Paint to Match	R 10331594	#.3	41.99
	L 10439378	#.3	44.25
#w/Trim Panel Removed			
6 Gasket, Handle] R	12531201		8.79
	L 12531227		7.18
7 Bumper, Handle] (2/Side) #Included w/Outside Handle Assy	R/L 12530199		6.85
8 Handle, Inside R	10375958	#.3	37.45
	L 10337734	#.3	37.44
9 Rod, Inside Handle #R&R One Side Complete, w/Trim Panel Removed	R/L 21997619-20	#.3	10.39
10 Rod, Lock	R/L 10440398-9		3.97
11 Knob, Lock Rod 2004-05 Neutral	R/L 10338077		3.79
	R/L 10338078		3.87
2006 Pewter	R/L 15290467		3.51
Black	R/L 15290468		3.70
Cashmere	R/L 15290469	#.2	37.70
12 Hinge, Upper R	10439951	#.2	45.24
	L 10439952	#.2	45.24
13 Hinge, Lower #w/Door Removed	R/L 10335804-5	#.2	61.66
14 Weatherstrip, Door (On Door) Harness, Door	R/L 89039782	.4	73.94
	R 21999506		39.88
	L 21999505		41.05

GLASS & PARTS



001-18840

1 Glass, Door Pontiac NAGS	R/L 10437456-7	#1.2	272.45
	R DD10213GTN	#1.2	162.95
	L DD10214GTN	#1.2	162.95
#Includes R&I Trim Panel			
2 Glass, Vent] Pontiac NAGS	R/L 10351132-3	#1.4	508.50
	R DV10215GTY	#1.4	1042.00
	L DV10216GTY	#1.4	1042.00
#Includes Window Weatherstrip			
#Includes R&I Trim Panel & R&R Door Glass			
3 Channel, Glass Guide	R 10345594	#.2	18.42
	L 10345595	#.2	18.98
#w/Door Glass Removed			
4 Moulding, Inner Belt-See Interior Trim Section			
5 W/Strip, Upper (On Door)	R/L 10337575-6	.2	21.97
6 Regulator, Window	R 10437462	#1.1	116.96
	L 10345332	#1.1	116.96
#Includes R&I Trim Panel, w/Door Glass Removed Deduct .7			

ROOF

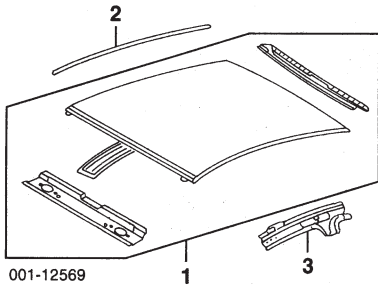
Use Procedure Explanations 17 and 28 with the following text.

GRAND PRIX 2004-06

ROOF Cont'd

SHEET METAL/EXTERIOR TRIM

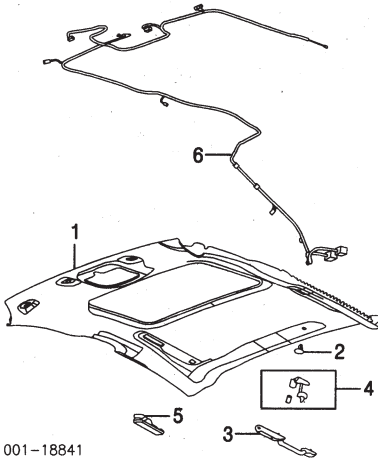
Refinish Roof Outside	3.1
Refinish Roof Joint Moulding	R/L .4
Add to R&R Roof Panel w/Roof Console2



001-12569	1	3
1 Panel, Roof		
w/Sunroof	88948626	18.0 559.98
w/o Sunroof	88948625	16.5 353.39
2 Moulding, Roof Joint (Adhesive) (P)		
2004-05	R 88980518	.2 67.14
	L 88980519	.2 63.33
2006		
1st Design	R 88980518	.2 67.14
	L 88980519	.2 63.33
2nd Design	R/L 19120772-3	.2 0.00
(P) Paint to Match		
3 Rail, Inner Side Roof	R/L 10343510-09	1.5 45.93

INTERIOR TRIM W/SUNROOF

R&I Headliner w/Roof Console	1.6
w/o Roof Console	1.4



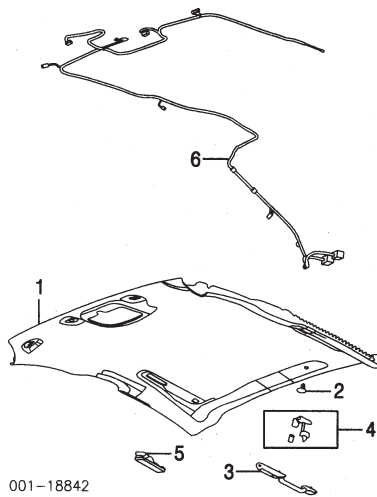
001-18841	1	2	3	4
1 Headliner				
w/Roof Console	15234482	1.8	467.47	
w/o Roof Console	15234489	1.6	467.47	
(Order by Application)				
2 Retainer, Headliner	10280874	.73		
(As Required)				
3 Handle, Assist	R/L 10360179	.2	26.72	
4 Harness, Reading Lamp	R/L 10340108		67.80	
5 Lens, Reading Lamp	10343025	.2	6.85	
(Order by Application)				
6 Harness, Wiring	10340112	150.73		

INTERIOR TRIM W/O SUNROOF

R&I Headliner w/Roof Console	1.8
w/o Roof Console	1.6

Illustration Located in Next Column

1 Headliner			
w/Roof Console	15234495	2.0	467.47
w/o Roof Console	10343007	1.8	503.28
(Order by Application)			
2 Retainer, Headliner	10280874	.73	

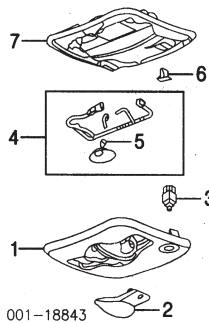


001-18842	1	2	3	4	5	6
(As Required)						
3 Handle, Assist	R/L 10317640	.2	62.11			
4 Harness, Reading Lamp	R/L 10340108		67.80			
5 Lens, Reading Lamp	10343025	.2	6.85			
6 Harness, Wiring	10340111	150.73				
(Order by Application)						
Lamp, Dome						
w/o Roof Console	10317859	.2	15.91			
2004-05						
Cashmere	15228465	.2	12.50			
Gray	10317859	.2	15.91			
Lens, Dome Lamp	10343018	.2	11.54			

OVERHEAD CONSOLE W/SUNROOF

R&I Overhead Console2
----------------------------	----

NOTE: All Parts in this section are included in R&R Overhead Console unless noted otherwise.



001-18843	1	2	3	4	5	6	7	10
1 Console, Overhead (a)	04 10360296	.3	45.97					
	05 10360296	.3	45.97					
	06 15228482	.3	47.64					
(a) Order by Application								
2 Lens, Lamp	10343025	.1	6.85					
3 Switch, Sunroof	10438815	.3	9.24					
4 Harness Assy, Dome Lamp	10340107	.2	70.51					
5 Bulb	1999382	.2	3.05					
(Included w/Dome Lamp Harness Assy)								
6 Retainer, Console	10343040		19.65					
7 Plate, Console Backing	10343039	#.1	19.26					
(w/Headliner Removed, Not Included in R&R Overhead Console)								

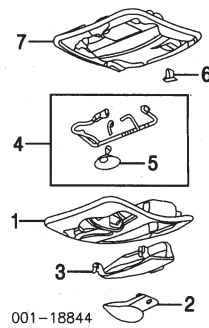
OVERHEAD CONSOLE W/O SUNROOF

R&I Overhead Console2
----------------------------	----

NOTE: All Parts in this section are included in R&R Overhead Console unless noted otherwise.

Illustration Located in Next Column

1 Console, Overhead			
2004	10317641	.3	42.21
2005-06 (a)			
Cashmere	15228483	.3	32.29
Gray	10360296	.3	45.97
(a) Order by Application			
2 Lens, Dome Lamp	10343025	.1	6.85
3 Door, Compartment-Serviced w/Overhead Console			
4 Harness Assy, Dome Lamp (a)	04-05 10340110	.2	144.93

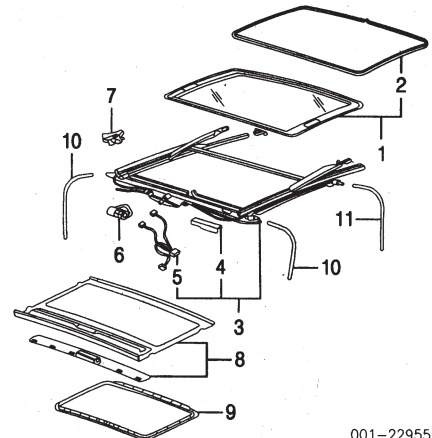


06 10359915	.2	50.14
(a) Order by Application		
5 Bulb	1999382	.2 3.05
(Included w/Dome Lamp Harness Assy)		
6 Retainer, Console (a)	10343039	19.26
(a) Order by Application		
7 Plate, Console Backing	N.A.	#.1 0.00
(w/Headliner Removed, Not Included in R&R Overhead Console)		

SUNROOF

R&I Sunroof Assy	#3.3
O/H Sunroof Assy	#5.3
(Includes R&I Headliner & Necessary Adjustments)	
Adjust Sunroof6
Add to R&I/R&R or O/H Sunroof Assy w/Overhead Console2

NOTE: All Parts in this section are included in overhaul unless noted otherwise.



001-22955	1	2	3	4	5	6	7	8	9	10	11
1 Glass Assy, Sunroof	22623763	1.0	465.52								
2 Weatherstrip, Sunroof Glass	12458067		92.63								
(Included w/Sunroof Glass Assy)											
3 Frame Assy, Sunroof											
2004											
1st Design	88956146	5.3	733.75								
2nd Design	89022706	5.3	782.90								
2005-06	89022706	5.3	782.90								
4 Module, Express Open (a)	22596817		120.06								
5 Harness, Sunroof (a)	88956147		67.78								
(a) Included w/Sunroof Frame Assy											
6 Motor, Sunroof	12473034	.8	329.46								
7 Switch, Opng Position	12459083		255.85								
8 Sunshade	89023551	.8	195.69								
9 Trim, Sunroof Opening	10317287	.2	39.36								
10 Hose, Front Drain	R/L 10383023		7.54								
11 Hose, Rear Drain	R 10348964		15.61								
	L 10348963		15.30								

BACK WINDOW

Use Procedure Explanation 19 with the following text.	
R&I Back Glass	#2.3
(Includes Clean Up Old Adhesive as Necessary)	

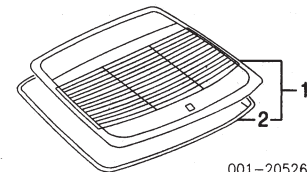


Table with 4 columns: Part #, Description, Qty, Price. Includes '1 Glass Assy, Back Window' and '2 Moulding, Glass]'.

Table with 4 columns: Part #, Description, Qty, Price. Includes 'Base, GT, GTP Model' and 'GXP Model'.

Table with 4 columns: Part #, Description, Qty, Price. Includes 'Retainer, Upper Trim Panel' and '9 Tray, Package'.

SIDE BODY

Use Procedure Explanations 14, 15, 20 and 28 with the following text.

SHEET METAL/EXTERIOR TRIM

Table with 4 columns: Part #, Description, Qty, Price. Includes 'Refinish Side Body Panel Outside' and 'Refinish Rocker Moulding'.

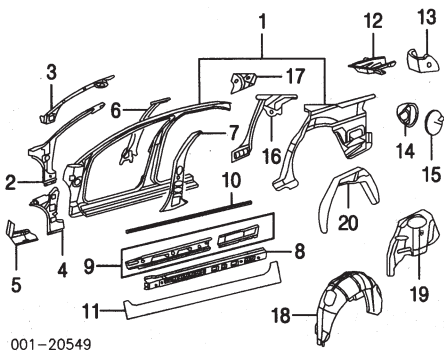


Table with 4 columns: Part #, Description, Qty, Price. Includes '1 Panel, Side Body' and '2 Pillar, Hinge'.

12 Extension, Rear Upper #w/Back Glass Removed

Table with 4 columns: Part #, Description, Qty, Price. Includes '13 Extension, Rear Lower Valve, Press Relief'.

Table with 4 columns: Part #, Description, Qty, Price. Includes '14 Pocket, Fuel Filler' and '15 Door, Fuel Filler'.

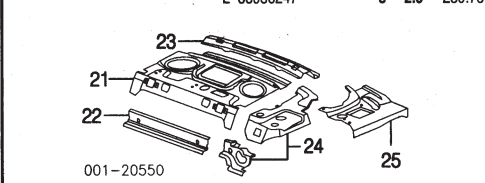


Table with 4 columns: Part #, Description, Qty, Price. Includes '21 Panel, Package Tray' and '22 Front Reinft, Package Tray'.

INTERIOR TRIM

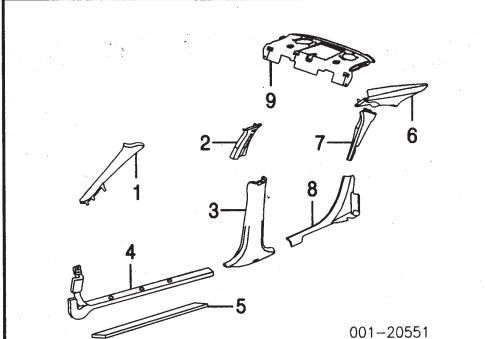


Table with 4 columns: Part #, Description, Qty, Price. Includes '1 Moulding, W/S Garnish-See Windshield Section' and '2 Moulding, Upr Ctr Pillar'.

LUGGAGE LID

Use Procedure Explanations 24 and 28 with the following text.

Table with 4 columns: Part #, Description, Qty, Price. Includes 'Refinish Luggage Lid Outside' and 'Add for Underside'.

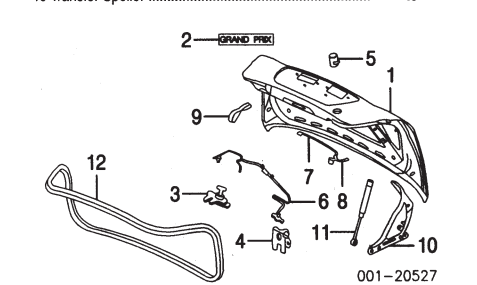


Table with 4 columns: Part #, Description, Qty, Price. Includes '1 Lid, Luggage' and '2 Nameplate (Adhesive)'.

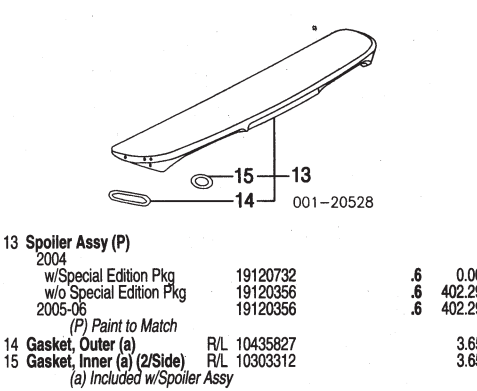
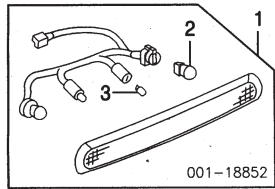


Table with 4 columns: Part #, Description, Qty, Price. Includes '13 Spoiler Assy (P)' and '14 Gasket, Outer (a)'.

REAR SUSPENSION

Use Procedure Explanation 23 with the following text.

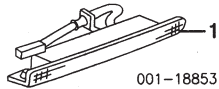
Table with 4 columns: Part #, Description, Qty, Price. Includes 'R&I Suspension (One Side)' and 'O/H Suspension (Includes R&I)'.



1 Lamp Assy, Back-Up #Included in R&R Luggage Lid	15209948	#.3	118.07
2 Bulb, Back-Up Lamp]			
Outer (2)	12450108	#.2	3.19
3 Inner (2)	9421330	#.2	.65
#Included w/Back-Up Lamp Assy #R&R Complete			

HIGH MOUNT STOP LAMP

R&I Stop Lamp.....	#.6
#Includes R&I Spoiler	



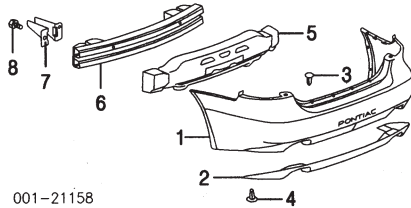
1 Lamp, Stop #Includes R&I Spoiler	10438693	#.6	49.33
---------------------------------------	----------	-----	-------

REAR BUMPER

Use Procedure Explanations 27 and 28 with the following text.

Refinish Rear Cover.....	2.5
Refinish Impact Bar.....	.8
Refinish Impact Bar Bracket.....	R/L .4
R&I Rear Cover.....	#1.4
O/H Bumper Assy (Includes R&I).....	#2.2
#Includes R&I/R&R Combination Lamp Assemblies	

NOTE: All Parts in this section are included in overhaul unless noted otherwise.



1 Cover, Rear (P)			
2004	89025804	#1.8	342.81
2005-06			
Base, GT, GTP Model	89025804	#1.8	342.81
GXP Model	12336087	#1.8	388.88
(P) Paint to Match #Includes R&I/R&R Combination Lamp Assemblies			
2 Cover, Lower			
2004			
w/Special Edition Pkg	12336050	.3	0.00
w/o Special Edition Pkg	10324181	.3	72.65
2005-06			
Base, GT, GTP Model			
Single Exh	10341533	.3	72.65
Dual Exh	10324181	.3	72.65
3 Retainer, Upper Cover (4)	11588988		3.90
4 Retainer, Lower Cover (2)	14093088		.75
5 Absorber, Impact	10354424	IOH	134.32
6 Bar, Impact	10344385	IOH	183.54
7 Bracket, Bumper	R/L 10244416-7	#.8	16.49
#w/Rear Bumper Removed, Not Included in O/H			
8 Bolt, Mtg (3/Side)	R/L 10242859		4.25
Nut, Attaching	R/L 25704358		4.15